



Manufacturer:
CMG Technologies
Product Name:
CMG SC SM Board/Panel Mount Receptacle
Manufacturer Part Number:
FOA03 04 ASSY

▶ Click here for more details on the CMG SC SM Board/Panel Mount Receptacle



Applications

- Telecommunications
- Datacommunication
- CATV
- Instrumentation
- Research
- Transmission equipment
- Test equipment

High Finish Machined Receptacles for Holding LEDs, Detectors and Lasers

These receptacles, designed to meet to the user's specific requirements, should be selected as follows:

1. Select adapter type (i.e. FC/PC)
2. Supply data as necessary for manufacture of the part

Receptacles are available in standard SC, FC and ST formats, single mode or multimode. Parts can be <> to suit custom requirements.

ORDERING INFORMATION

Part Number	Description	Construction
FOA03 01 ASSY	FC receptacle, combining board, flange, or clip mounting	Device holder machined from nickel silver with die cast adapter flange
FOA02 01 ASSY	FC receptacle, two hole flange mounting	Machined entirely from nickel silver
FOA04 01 ASSY	FC receptacle, board mounting	Machined entirely from nickel silver
FOA05 01 ASSY	ST receptacle, combining board and D hole mounting	Machined entirely from nickel silver
NYA03 01 ASSY	ST receptacle, board mounting only	Machined entirely from nickel silver
FOA06 01 ASSY*	FC receptacle, two hole flange mounting	Machined entirely from nickel silver
HCA02 02 ASSY*	FC flange mounted receptacle	Machined nickel silver, zirconia sleeve
FOA03 05 ASSY*	SC b/flange mounted receptacle	Machined nickel silver, zirconia sleeve
FOA05 06 ASSY*	ST b mounted receptacle	Machined nickel silver, zirconia sleeve

Contact the professionals at Fiber Optic Center for a quote or to get more details.

focenter.com • 508-992-6464 | (800) 473-4237 • sales@focenter.com

23 Centre Street • New Bedford, MA 02740 USA

Product specifications and data are subject to change without notice.



Manufacturer:
CMG Technologies

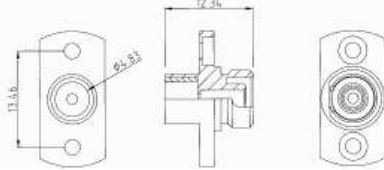
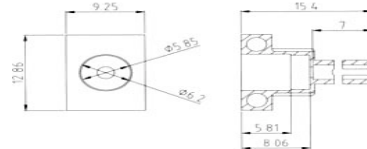
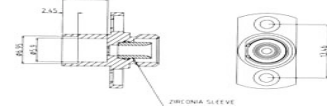
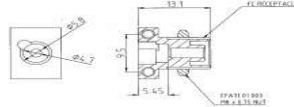
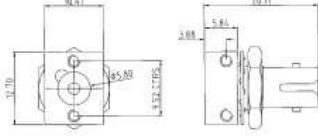
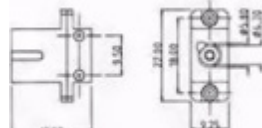
Product Name:
CMG SC SM Board/Panel Mount Receptacle

Manufacturer Part Number:
FOA03 04 ASSY



▶ [Click here for more details on the CMG SC SM Board/Panel Mount Receptacle](#)

SPECIFICATIONS

<p>Description FC Flange Mounted Receptacle</p> <p>Technical Data Machined nickel silver.to suit T0-18 cans as standard. Can be machined to suit your custom requirements. Can be supplied with insulation.</p> <p>Part No FOA06 01 ASSY</p>	
<p>Description Universal Receptacle</p> <p>Technical Data Using a unique sleeve, this receptacle can utilise any 2.5mm ferrules connector. Machined nickel silver construction. To suit T0-18 cans as standard. Can be machined to suit your custom requirements. Can be supplied with insulation.</p> <p>Part No KDA09 01 ASSY</p>	
<p>Description FC Flange Mounted Receptacle</p> <p>Technical Data Machined nickel silver. To suit T0-18 cans as standard. Can be machined to suit your custom requirements.</p> <p>Part No FOA02 01 ASSY</p>	
<p>Description FC Receptacle</p> <p>Technical Data Machined nickel silver.to suit T0-18 cans as standard. Can be machined to suit your custom requirements. Board or panel mounted.</p> <p>Part No FOA04 01ASSY</p>	
<p>Description ST Receptacle</p> <p>Technical Data Machined nickel silver. To suit T0-18 cans as standard. Can be machined to suit your custom requirements. Can be supplied with insulation.</p> <p>Part No FOA05 01 ASSY</p>	
<p>Description SC Receptacle</p> <p>Technical Data Machined nickel silver construction. To suit T0-18 cans as standard. Can be machined to suit your custom requirements. Board, panel or flange mounted.</p> <p>Part No FOA03 01 ASSY</p>	

Contact the professionals at Fiber Optic Center for a quote or to get more details.

focenter.com • 508-992-6464 | (800) 473-4237 • sales@focenter.com

23 Centre Street • New Bedford, MA 02740 USA

Product specifications and data are subject to change without notice.