



Manufacturer:
Seikoh Giken

Manufacturer Part Number:

SSC-PE1G-511251A306G • SSC-PE1G-511261A306G • SSC-PE2G-5B1251A306G
SSC-PE2G-5B1261A306G • SSC-PE3G-5C1251A306G • SSC-PE3G-5C1261A306G
SSC-PNE1G-811251B306G • SSC-PNE1G-811261B306G • SSC-PNE2G-8B1251B306G
SSC-PNE2G-8B1261B306G • SSC-PNE3G-8C1251B306G • SSC-PNE3G-8C1261B306G
SSC-PQE1G-C11261A306G • SSC-PQE2G-CB1261A306G • SSC-PBE3G-AC1261A306G

DOCUMENT NUMBER QC-ZW-005-3

GS-SC Series

SC CONNECTOR PLUG

TECHNICAL SPECIFICATIONS

Contact the professionals at Fiber Optic Center for a quote or to get more details.

focenter.com • 508-992-6464 | (800) 473-4237 • sales@focenter.com

23 Centre Street • New Bedford, MA 02740 USA



Manufacturer:
Seikoh Giken

Manufacturer Part Number:

SSC-PE1G-511251A306G • SSC-PE1G-511261A306G • SSC-PE2G-5B1251A306G
SSC-PE2G-5B1261A306G • SSC-PE3G-5C1251A306G • SSC-PE3G-5C1261A306G
SSC-PNE1G-811251B306G • SSC-PNE1G-811261B306G • SSC-PNE2G-8B1251B306G
SSC-PNE2G-8B1261B306G • SSC-PNE3G-8C1251B306G • SSC-PNE3G-8C1261B306G
SSC-PQE1G-C11261A306G • SSC-PQE2G-CB1261A306G • SSC-PBE3G-AC1261A306G

QC-ZW-005-3
GS-SC Plug

QC-ZW-005-0 May 2013

QC-ZW-005-1 Mar 2014

QC-ZW-005-2 Apr 2014

QC-ZW-005-3 Aug 2015

Copyright © 2013 by Seikoh Giken Hangzhou Co., Ltd.
All right reserved.

The information contained herein shall not be reproduced or disclosed to any third party without the express written consent of Seikoh Giken Hangzhou Co., Ltd.

The specifications and materials contained herein are subject to change without notice.

Contact the professionals at Fiber Optic Center for a quote or to get more details.

focenter.com • 508-992-6464 | (800) 473-4237 • sales@focenter.com

23 Centre Street • New Bedford, MA 02740 USA



Manufacturer:
Seikoh Giken

Manufacturer Part Number:

SSC-PE1G-511251A306G • SSC-PE1G-511261A306G • SSC-PE2G-5B1251A306G
SSC-PE2G-5B1261A306G • SSC-PE3G-5C1251A306G • SSC-PE3G-5C1261A306G
SSC-PNE1G-811251B306G • SSC-PNE1G-811261B306G • SSC-PNE2G-8B1251B306G
SSC-PNE2G-8B1261B306G • SSC-PNE3G-8C1251B306G • SSC-PNE3G-8C1261B306G
SSC-PQE1G-C11261A306G • SSC-PQE2G-CB1261A306G • SSC-PBE3G-AC1261A306G

QC-ZW-005-3
GS-SC Plug

TABLE OF CONTENTS

Section	Page
1 SCOPE	1
2 PART NUMBER	1-5
3 GENERAL SPECIFICATIONS	6
3.1 Parts and Materials	6
3.2 Physical Dimensions	7
3.3 General Tolerance	7
3.4 Appearance	7
4 PACKING	7
5 IDENTIFICATION	7
6 HANDLING AND CARE	8
6.1 Conditions of Storage	8
6.2 Precautions of Use	8
6.3 Disposal	8
7 FIGURE	9-17

Contact the professionals at Fiber Optic Center for a quote or to get more details.

focenter.com • 508-992-6464 | (800) 473-4237 • sales@focenter.com

23 Centre Street • New Bedford, MA 02740 USA



Manufacturer:
Seikoh Giken

Manufacturer Part Number:

SSC-PE1G-511251A306G • SSC-PE1G-511261A306G • SSC-PE2G-5B1251A306G
 SSC-PE2G-5B1261A306G • SSC-PE3G-5C1251A306G • SSC-PE3G-5C1261A306G
 SSC-PNE1G-811251B306G • SSC-PNE1G-811261B306G • SSC-PNE2G-8B1251B306G
 SSC-PNE2G-8B1261B306G • SSC-PNE3G-8C1251B306G • SSC-PNE3G-8C1261B306G
 SSC-PQE1G-C11261A306G • SSC-PQE2G-CB1261A306G • SSC-PBE3G-AC1261A306G

QC-ZW-005-3
GS-SC Plug

1 SCOPE

These specifications apply to the GS SC series SC connector plug for Φ 0.9mm buffered fiber and Φ 2mm cord supplied by SEIKOH GIKEN Co., Ltd.

2 PART NUMBER

Part number of the connector plug is shown in Table 1.

Table 1 Part Number

SC/PC 0.9mm SM

SSC-PE1G		<u>5</u>	<u>1</u>	<u>125</u>	<u>1</u>	<u>A</u>	306G
Boot Color				Cap			
1	Black			A		Black Ferrule Cap	
2	Red			Marking			
5	Blue			1		SG	
Boot I.D.(mm)				Ferrule I.D.(um)			
1	For Φ 0.9mm buffered fiber(Rubber)			125		Φ 125	

SC/APC (Conical) 0.9mm SM

SSC-PNE1G		<u>8</u>	<u>1</u>	<u>125</u>	<u>1</u>	<u>B</u>	306G
Boot Color				Cap			
1	Black			B		Green Ferrule Cap	
2	Red			Marking			
8	Green			1		SG	
Boot I.D.(mm)				Ferrule I.D.(um)			
1	For Φ 0.9mm buffered fiber(Rubber)			125		Φ 125	

Contact the professionals at Fiber Optic Center for a quote or to get more details.

focenter.com • 508-992-6464 | (800) 473-4237 • sales@focenter.com
 23 Centre Street • New Bedford, MA 02740 USA



Manufacturer:
Seikoh Giken

Manufacturer Part Number:

SSC-PE1G-511251A306G • SSC-PE1G-511261A306G • SSC-PE2G-5B1251A306G
 SSC-PE2G-5B1261A306G • SSC-PE3G-5C1251A306G • SSC-PE3G-5C1261A306G
 SSC-PNE1G-811251B306G • SSC-PNE1G-811261B306G • SSC-PNE2G-8B1251B306G
 SSC-PNE2G-8B1261B306G • SSC-PNE3G-8C1251B306G • SSC-PNE3G-8C1261B306G
 SSC-PQE1G-C11261A306G • SSC-PQE2G-CB1261A306G • SSC-PBE3G-AC1261A306G

QC-ZW-005-3
GS-SC Plug

SC/PC 0.9mm MM

SSC-PBE1G C 1 126 1 A 306G

Housing Color	
B	Beige
Q	Aqua

Cap	
A	Black Ferrule Cap

Marking	
1	SG

Boot Color	
0	No Boot
1	Black
2	Red
6	Magenta
C	White

Ferrule I.D.(um)	
126	Φ126

Boot I.D.(mm)	
1	For Φ0.9mm buffered fiber(Rubber)

SC/PC 2mm SM

SSC-PE2G 5 B 125 1 A 306G

Boot Color	
1	Black
2	Red
5	Blue
C	White

Cap	
A	Black Ferrule Cap

Marking	
1	SG

Boot I.D.(mm)	
B	For Φ2mm Cord

Ferrule I.D.(um)	
125	Φ125

Contact the professionals at Fiber Optic Center for a quote or to get more details.



Manufacturer:
Seikoh Giken

Manufacturer Part Number:

SSC-PE1G-511251A306G • SSC-PE1G-511261A306G • SSC-PE2G-5B1251A306G
 SSC-PE2G-5B1261A306G • SSC-PE3G-5C1251A306G • SSC-PE3G-5C1261A306G
 SSC-PNE1G-811251B306G • SSC-PNE1G-811261B306G • SSC-PNE2G-8B1251B306G
 SSC-PNE2G-8B1261B306G • SSC-PNE3G-8C1251B306G • SSC-PNE3G-8C1261B306G
 SSC-PQE1G-C11261A306G • SSC-PQE2G-CB1261A306G • SSC-PBE3G-AC1261A306G

QC-ZW-005-3
GS-SC Plug

SC/APC (Conical) 2mm SM

SSC-PNE2G	<u>8</u>	<u>B</u>	<u>125</u>	<u>1</u>	<u>B</u>	306G
------------------	-----------------	-----------------	-------------------	-----------------	-----------------	-------------

<table border="1"> <tr><td colspan="2">Boot Color</td></tr> <tr><td>1</td><td>Black</td></tr> <tr><td>2</td><td>Red</td></tr> <tr><td>8</td><td>Green</td></tr> </table>		Boot Color		1	Black	2	Red	8	Green	<table border="1"> <tr><td colspan="2">Cap</td></tr> <tr><td>B</td><td>Green Ferrule Cap</td></tr> </table>		Cap		B	Green Ferrule Cap
Boot Color															
1	Black														
2	Red														
8	Green														
Cap															
B	Green Ferrule Cap														
<table border="1"> <tr><td colspan="2">Boot I.D.(mm)</td></tr> <tr><td>B</td><td>For Φ2mm Cord</td></tr> </table>		Boot I.D.(mm)		B	For Φ 2mm Cord	<table border="1"> <tr><td colspan="2">Marking</td></tr> <tr><td>1</td><td>SG</td></tr> </table>		Marking		1	SG				
Boot I.D.(mm)															
B	For Φ 2mm Cord														
Marking															
1	SG														
		<table border="1"> <tr><td colspan="2">Ferrule I.D.(um)</td></tr> <tr><td>125</td><td>Φ 125</td></tr> <tr><td>12F</td><td>Φ 125.5</td></tr> </table>		Ferrule I.D.(um)		125	Φ 125	12F	Φ 125.5						
Ferrule I.D.(um)															
125	Φ 125														
12F	Φ 125.5														

SC/PC 2mm MM

SSC-PBE2G	<u>C</u>	<u>B</u>	<u>126</u>	<u>1</u>	<u>A</u>	306G
------------------	-----------------	-----------------	-------------------	-----------------	-----------------	-------------

<table border="1"> <tr><td colspan="2">Housing Color</td></tr> <tr><td>B</td><td>Beige</td></tr> <tr><td>Q</td><td>Aqua</td></tr> </table>		Housing Color		B	Beige	Q	Aqua	<table border="1"> <tr><td colspan="2">Cap</td></tr> <tr><td>A</td><td>Black Ferrule Cap</td></tr> </table>		Cap		A	Black Ferrule Cap						
Housing Color																			
B	Beige																		
Q	Aqua																		
Cap																			
A	Black Ferrule Cap																		
<table border="1"> <tr><td colspan="2">Boot Color</td></tr> <tr><td>1</td><td>Black</td></tr> <tr><td>2</td><td>Red</td></tr> <tr><td>6</td><td>Magenta</td></tr> <tr><td>A</td><td>Beige</td></tr> <tr><td>C</td><td>White</td></tr> </table>		Boot Color		1	Black	2	Red	6	Magenta	A	Beige	C	White	<table border="1"> <tr><td colspan="2">Marking</td></tr> <tr><td>1</td><td>SG</td></tr> </table>		Marking		1	SG
Boot Color																			
1	Black																		
2	Red																		
6	Magenta																		
A	Beige																		
C	White																		
Marking																			
1	SG																		
<table border="1"> <tr><td colspan="2">Boot I.D.(mm)</td></tr> <tr><td>B</td><td>For Φ2mm Cord</td></tr> </table>		Boot I.D.(mm)		B	For Φ 2mm Cord	<table border="1"> <tr><td colspan="2">Ferrule I.D.(um)</td></tr> <tr><td>126</td><td>Φ 126</td></tr> </table>		Ferrule I.D.(um)		126	Φ 126								
Boot I.D.(mm)																			
B	For Φ 2mm Cord																		
Ferrule I.D.(um)																			
126	Φ 126																		

Contact the professionals at Fiber Optic Center for a quote or to get more details.

focenter.com • 508-992-6464 | (800) 473-4237 • sales@focenter.com

23 Centre Street • New Bedford, MA 02740 USA



Manufacturer:
Seikoh Giken

Manufacturer Part Number:

SSC-PE1G-511251A306G • SSC-PE1G-511261A306G • SSC-PE2G-5B1251A306G
 SSC-PE2G-5B1261A306G • SSC-PE3G-5C1251A306G • SSC-PE3G-5C1261A306G
 SSC-PNE1G-811251B306G • SSC-PNE1G-811261B306G • SSC-PNE2G-8B1251B306G
 SSC-PNE2G-8B1261B306G • SSC-PNE3G-8C1251B306G • SSC-PNE3G-8C1261B306G
 SSC-PQE1G-C11261A306G • SSC-PQE2G-CB1261A306G • SSC-PBE3G-AC1261A306G

QC-ZW-005-3
GS-SC Plug

SC/PC 3mm SM

SSC-PE3G	<u>5</u>	<u>C</u>	<u>125</u>	<u>1</u>	<u>A</u>	306G
-----------------	-----------------	-----------------	-------------------	-----------------	-----------------	-------------

<table border="1"> <tr><td>Boot Color</td></tr> <tr><td>5 Blue</td></tr> <tr><td>C White</td></tr> </table>		Boot Color	5 Blue	C White	<table border="1"> <tr><td>Ferrule I.D.(um)</td></tr> <tr><td>125 Φ 125</td></tr> </table>		Ferrule I.D.(um)	125 Φ 125	<table border="1"> <tr><td>Cap</td></tr> <tr><td>A Black Ferrule Cap</td></tr> </table>		Cap	A Black Ferrule Cap
Boot Color												
5 Blue												
C White												
Ferrule I.D.(um)												
125 Φ 125												
Cap												
A Black Ferrule Cap												
<table border="1"> <tr><td>Boot I.D.(mm)</td></tr> <tr><td>C For Φ3mm Cord</td></tr> </table>		Boot I.D.(mm)	C For Φ 3mm Cord	<table border="1"> <tr><td>Marking</td></tr> <tr><td>1 SG</td></tr> </table>		Marking	1 SG					
Boot I.D.(mm)												
C For Φ 3mm Cord												
Marking												
1 SG												

SC/APC (Conical) 3mm SM

SSC-PNE3G	<u>8</u>	<u>C</u>	<u>125</u>	<u>1</u>	<u>B</u>	306G
------------------	-----------------	-----------------	-------------------	-----------------	-----------------	-------------

<table border="1"> <tr><td>Boot Color</td></tr> <tr><td>8 Green</td></tr> </table>		Boot Color	8 Green	<table border="1"> <tr><td>Ferrule I.D.(um)</td></tr> <tr><td>125 Φ 125</td></tr> <tr><td>12F Φ 125.5</td></tr> </table>		Ferrule I.D.(um)	125 Φ 125	12F Φ 125.5	<table border="1"> <tr><td>Cap</td></tr> <tr><td>B Green Ferrule Cap</td></tr> </table>		Cap	B Green Ferrule Cap
Boot Color												
8 Green												
Ferrule I.D.(um)												
125 Φ 125												
12F Φ 125.5												
Cap												
B Green Ferrule Cap												
<table border="1"> <tr><td>Boot I.D.(mm)</td></tr> <tr><td>C For Φ3mm Cord</td></tr> </table>		Boot I.D.(mm)	C For Φ 3mm Cord	<table border="1"> <tr><td>Marking</td></tr> <tr><td>1 SG</td></tr> </table>		Marking	1 SG					
Boot I.D.(mm)												
C For Φ 3mm Cord												
Marking												
1 SG												

Contact the professionals at Fiber Optic Center for a quote or to get more details.

focenter.com • 508-992-6464 | (800) 473-4237 • sales@focenter.com

23 Centre Street • New Bedford, MA 02740 USA

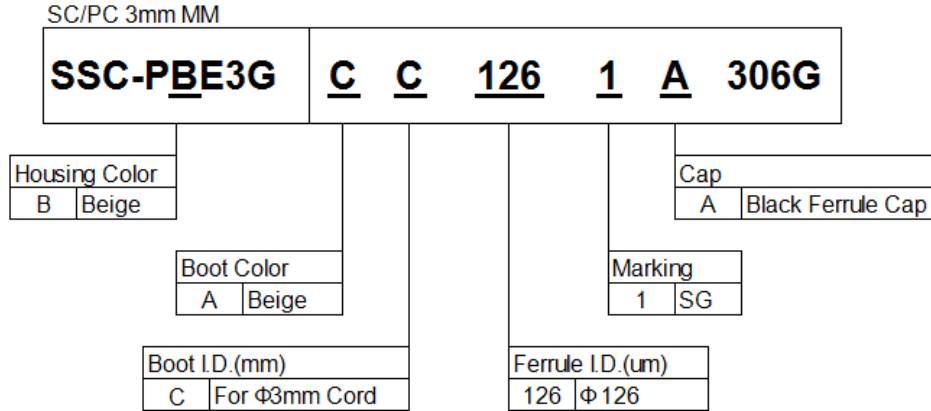


Manufacturer:
Seikoh Giken

Manufacturer Part Number:

SSC-PE1G-511251A306G • SSC-PE1G-511261A306G • SSC-PE2G-5B1251A306G
 SSC-PE2G-5B1261A306G • SSC-PE3G-5C1251A306G • SSC-PE3G-5C1261A306G
 SSC-PNE1G-811251B306G • SSC-PNE1G-811261B306G • SSC-PNE2G-8B1251B306G
 SSC-PNE2G-8B1261B306G • SSC-PNE3G-8C1251B306G • SSC-PNE3G-8C1261B306G
 SSC-PQE1G-C11261A306G • SSC-PQE2G-CB1261A306G • SSC-PBE3G-AC1261A306G

QC-ZW-005-3
GS-SC Plug



Please contact us for availability of other specifications.

Contact the professionals at Fiber Optic Center for a quote or to get more details.

focenter.com • 508-992-6464 | (800) 473-4237 • sales@focenter.com
 23 Centre Street • New Bedford, MA 02740 USA



Manufacturer:
Seikoh Giken

Manufacturer Part Number:

SSC-PE1G-511251A306G • SSC-PE1G-511261A306G • SSC-PE2G-5B1251A306G
 SSC-PE2G-5B1261A306G • SSC-PE3G-5C1251A306G • SSC-PE3G-5C1261A306G
 SSC-PNE1G-811251B306G • SSC-PNE1G-811261B306G • SSC-PNE2G-8B1251B306G
 SSC-PNE2G-8B1261B306G • SSC-PNE3G-8C1251B306G • SSC-PNE3G-8C1261B306G
 SSC-PQE1G-C11261A306G • SSC-PQE2G-CB1261A306G • SSC-PBE3G-AC1261A306G

QC-ZW-005-3
GS-SC Plug

3 GENERAL SPECIFICATIONS

3.1 Parts and Materials

Parts and materials are shown in Table 2, 3.

Table 2 Parts and Materials

Item	Part Name	Qty	Material	Notes
①-1	Main Body	1	See Table 3	For SC/PC
①-2				For SC/APC
②	Grip	1	PBT GF	Flammability UL94 V-0
③-1	Crimping Ring ^{Note 2}	1	Aluminum Alloy	for ø 2 mm cord
③-2				for ø 3 mm cord
④-1	Boot	1	Silicone rubber	for ø 0.9 mm buffered fiber rubber boot, Flammability UL94 V-0
④-2			TPE	for ø 2 mm cord Equivalent to Flammability UL94 V-0
④-3			TPE	for ø 3 mm cord Equivalent to Flammability UL94 V-0
⑤	Cap	1	PP	Ferrule Cap

Notes: 1 Item on Table 2 corresponds to the item reference number on Figure 1 to 15.

2 ③Crimping Ring is not included for ø 0.9 mm buffered fiber type.

Table 3 Parts and Materials of Main Body

Item	Part Name	Qty	Material	Notes
⑦	Capillary	1	Zirconia	-
⑧	Flange	1	Brass	Nickel Plating
⑨	Plug Frame	1	PBT GF	White, Flammability UL94 V-0
⑩	Spring	1	Stainless Steel	-
⑪	Stop Ring	1	Brass	Nickel Plating
⑫	Heat-shrinkable Tube	1	EVA	Black, Flammability VW-1

Note: Item on Table 3 corresponds to the item reference number on Figure 7 and 8.

Contact the professionals at Fiber Optic Center for a quote or to get more details.

focenter.com • 508-992-6464 | (800) 473-4237 • sales@focenter.com

23 Centre Street • New Bedford, MA 02740 USA



Manufacturer:
Seikoh Giken

Manufacturer Part Number:

SSC-PE1G-511251A306G • SSC-PE1G-511261A306G • SSC-PE2G-5B1251A306G
 SSC-PE2G-5B1261A306G • SSC-PE3G-5C1251A306G • SSC-PE3G-5C1261A306G
 SSC-PNE1G-811251B306G • SSC-PNE1G-811261B306G • SSC-PNE2G-8B1251B306G
 SSC-PNE2G-8B1261B306G • SSC-PNE3G-8C1251B306G • SSC-PNE3G-8C1261B306G
 SSC-PQE1G-C11261A306G • SSC-PQE2G-CB1261A306G • SSC-PBE3G-AC1261A306G

QC-ZW-005-3
GS-SC Plug

3.2 Physical Dimensions

Figure 1 to 6 shows the SC-0.9 and SC-2.0 and SC-3.0 series connector plug
 Figure 7 and 8 shows the main body
 Figure 9 to 15 shows the dimensions of the parts

- In accordance with IEC 61754-4 Type SC connector family.
- In accordance with JIS C 5973 F04 Type connectors.

3.3 General Tolerances

Permissible deviation in dimensions without tolerance indication is in accordance with ISO 2768-m (JIS B 0405-m), as shown in Table 5.

Table 5 General Tolerance (ISO 2768-m)

Basic size step [mm]		Permissible deviation [mm]
Over	Under	
0.5	3	±0.1
3	6	±0.1
6	30	±0.2
30	120	±0.3

3.4 Appearance

There should be no burr, peeling of plating or scratches that affect the product.

4 PACKING

The product is packed to prevent damage during shipment.

5 IDENTIFICATION

Identification label should indicate the part number and the lot number of the product(s) and should be permanently attached to the packing bag.

Contact the professionals at Fiber Optic Center for a quote or to get more details.

focenter.com • 508-992-6464 | (800) 473-4237 • sales@focenter.com
 23 Centre Street • New Bedford, MA 02740 USA



Manufacturer:
Seikoh Giken

Manufacturer Part Number:

SSC-PE1G-511251A306G • SSC-PE1G-511261A306G • SSC-PE2G-5B1251A306G
SSC-PE2G-5B1261A306G • SSC-PE3G-5C1251A306G • SSC-PE3G-5C1261A306G
SSC-PNE1G-811251B306G • SSC-PNE1G-811261B306G • SSC-PNE2G-8B1251B306G
SSC-PNE2G-8B1261B306G • SSC-PNE3G-8C1251B306G • SSC-PNE3G-8C1261B306G
SSC-PQE1G-C11261A306G • SSC-PQE2G-CB1261A306G • SSC-PBE3G-AC1261A306G

QC-ZW-005-3
GS-SC Plug

6 HANDLING AND CARE

6.1 Conditions of Storage

For storage of the product, keep in the packing bag and keep away from corrosive gas, high-temperature and humidity, extreme-low temperature and direct sunlight.

6.2 Precautions for Use

Contamination, oil, sweat and others debris on the ferrule end face may influence the performance of the product. If contamination is on the ferrule end face, wipe the end face with the end face cleaner.

6.3 Disposal

When discarding this product, please follow the regulations of your own country.

Contact the professionals at Fiber Optic Center for a quote or to get more details.

focenter.com • 508-992-6464 | (800) 473-4237 • sales@focenter.com
23 Centre Street • New Bedford, MA 02740 USA



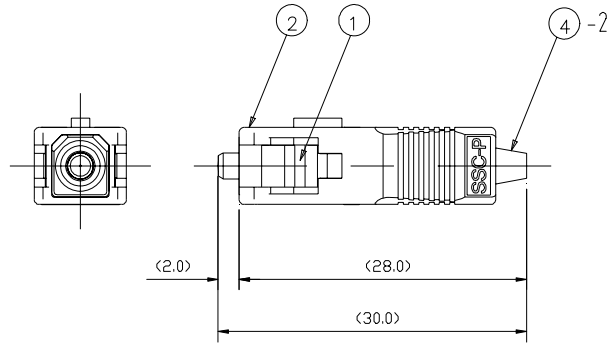
Manufacturer:
Seikoh Giken

Manufacturer Part Number:

SSC-PE1G-511251A306G • SSC-PE1G-511261A306G • SSC-PE2G-5B1251A306G
 SSC-PE2G-5B1261A306G • SSC-PE3G-5C1251A306G • SSC-PE3G-5C1261A306G
 SSC-PNE1G-811251B306G • SSC-PNE1G-811261B306G • SSC-PNE2G-8B1251B306G
 SSC-PNE2G-8B1261B306G • SSC-PNE3G-8C1251B306G • SSC-PNE3G-8C1261B306G
 SSC-PQE1G-C11261A306G • SSC-PQE2G-CB1261A306G • SSC-PBE3G-AC1261A306G

QC-ZW-005-3
GS-SC Plug

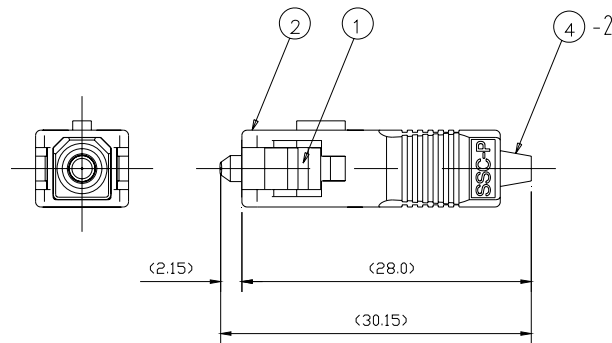
7 FIGURE



Unit: mm

Figure 1 GS-SC/PC Series Connector Plug (for \varnothing 0.9 mm buffered fiber, rubber boot)

- Notes: 1 This drawing shows the tentatively assembled condition.
 On practical shipment of GS-SC/PC connector plug, this tentative assembly is not available.
 2 This drawing does not include the cap.



Unit: mm

Figure 2 GS-SC/APC Series Connector Plug (for \varnothing 0.9 mm buffered fiber, rubber boot)

- Notes: 1 This drawing shows the tentatively assembled condition.
 On practical shipment of GS-SC/APC connector plug, this tentative assembly is not available.
 2 This drawing does not include the cap.

Contact the professionals at Fiber Optic Center for a quote or to get more details.

focenter.com • 508-992-6464 | (800) 473-4237 • sales@focenter.com
 23 Centre Street • New Bedford, MA 02740 USA

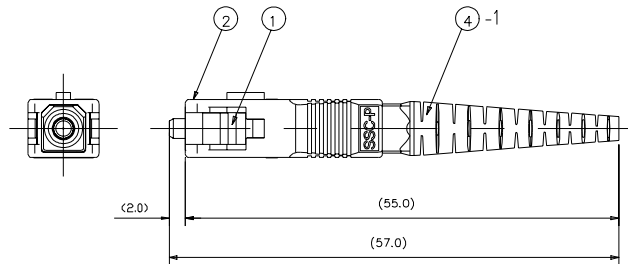


Manufacturer:
Seikoh Giken

Manufacturer Part Number:

SSC-PE1G-511251A306G • SSC-PE1G-511261A306G • SSC-PE2G-5B1251A306G
 SSC-PE2G-5B1261A306G • SSC-PE3G-5C1251A306G • SSC-PE3G-5C1261A306G
 SSC-PNE1G-811251B306G • SSC-PNE1G-811261B306G • SSC-PNE2G-8B1251B306G
 SSC-PNE2G-8B1261B306G • SSC-PNE3G-8C1251B306G • SSC-PNE3G-8C1261B306G
 SSC-PQE1G-C11261A306G • SSC-PQE2G-CB1261A306G • SSC-PBE3G-AC1261A306G

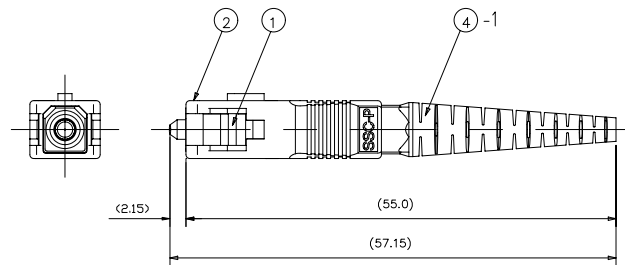
QC-ZW-005-3
GS-SC Plug



Unit: mm

Figure 3 GS-SC/PC Series Connector Plug (for ø 2 mm cord)

- Notes: 1 This drawing shows the tentatively assembled condition.
 On practical shipment of GS-SC/PC connector plug, this tentative assembly is not available.
- 2 This drawing does not include the cap.



Unit: mm

Figure 4 GS-SC/APC Series Connector Plug (for ø 2 mm cord)

- Notes: 1 This drawing shows the tentatively assembled condition.
 On practical shipment of GS-SC/APC connector plug, this tentative assembly is not available.
- 2 This drawing does not include the cap.

Contact the professionals at Fiber Optic Center for a quote or to get more details.

focenter.com • 508-992-6464 | (800) 473-4237 • sales@focenter.com
 23 Centre Street • New Bedford, MA 02740 USA

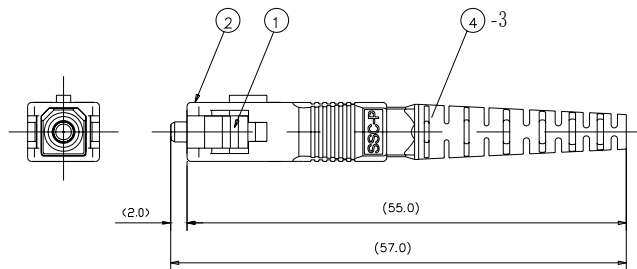


Manufacturer:
Seikoh Giken

Manufacturer Part Number:

SSC-PE1G-511251A306G • SSC-PE1G-511261A306G • SSC-PE2G-5B1251A306G
 SSC-PE2G-5B1261A306G • SSC-PE3G-5C1251A306G • SSC-PE3G-5C1261A306G
 SSC-PNE1G-811251B306G • SSC-PNE1G-811261B306G • SSC-PNE2G-8B1251B306G
 SSC-PNE2G-8B1261B306G • SSC-PNE3G-8C1251B306G • SSC-PNE3G-8C1261B306G
 SSC-PQE1G-C11261A306G • SSC-PQE2G-CB1261A306G • SSC-PBE3G-AC1261A306G

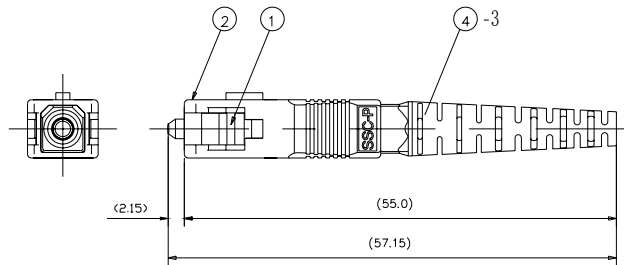
QC-ZW-005-3
GS-SC Plug



Unit: mm

Figure 5 GS-SC/PC Series Connector Plug (for \varnothing 3 mm cord)

- Notes: 1 This drawing shows the tentatively assembled condition.
 On practical shipment of GS-SC/PC connector plug, this tentative assembly is not available.
 2 This drawing does not include the cap.



Unit: mm

Figure 6 GS-SC/APC Series Connector Plug (for \varnothing 3 mm cord)

- Notes: 1 This drawing shows the tentatively assembled condition.
 On practical shipment of GS-SC/APC connector plug, this tentative assembly is not available.
 2 This drawing does not include the cap.

Contact the professionals at Fiber Optic Center for a quote or to get more details.

focenter.com • 508-992-6464 | (800) 473-4237 • sales@focenter.com
 23 Centre Street • New Bedford, MA 02740 USA

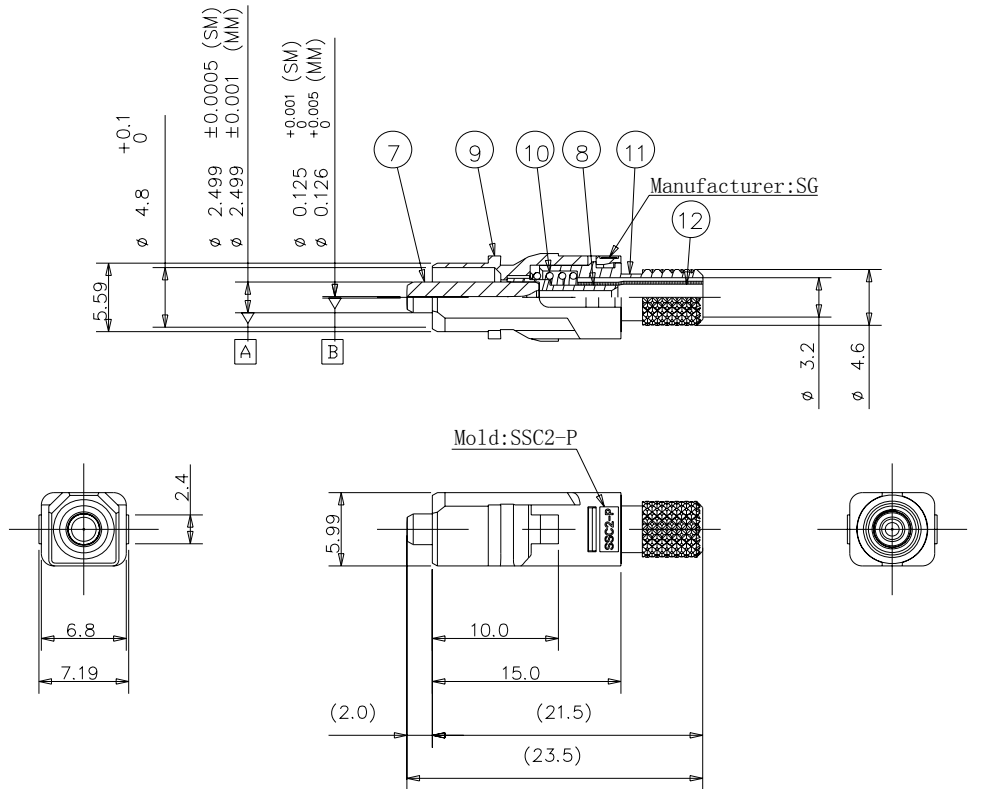


Manufacturer:
Seikoh Giken

Manufacturer Part Number:

- SSC-PE1G-511251A306G • SSC-PE1G-511261A306G • SSC-PE2G-5B1251A306G
- SSC-PE2G-5B1261A306G • SSC-PE3G-5C1251A306G • SSC-PE3G-5C1261A306G
- SSC-PNE1G-811251B306G • SSC-PNE1G-811261B306G • SSC-PNE2G-8B1251B306G
- SSC-PNE2G-8B1261B306G • SSC-PNE3G-8C1251B306G • SSC-PNE3G-8C1261B306G
- SSC-PQE1G-C11261A306G • SSC-PQE2G-CB1261A306G • SSC-PBE3G-AC1261A306G

QC-ZW-005-3
GS-SC Plug



Unit: mm

Figure 7 ①-1 Main Body(for SC/PC)

Contact the professionals at Fiber Optic Center for a quote or to get more details.

focenter.com • 508-992-6464 | (800) 473-4237 • sales@focenter.com

23 Centre Street • New Bedford, MA 02740 USA

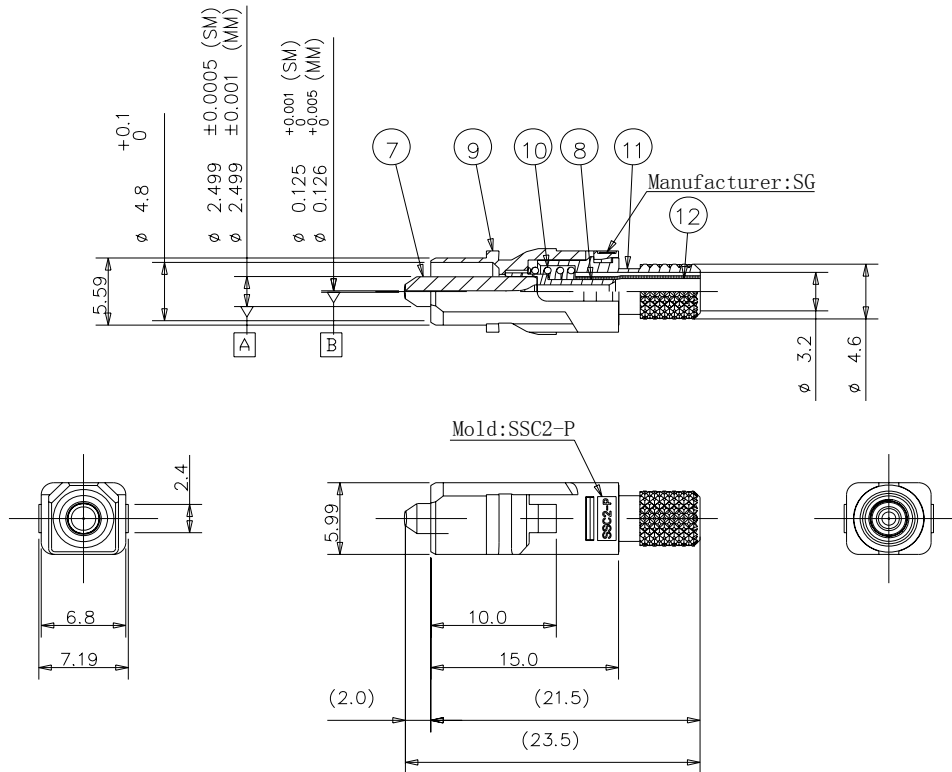


Manufacturer:
Seikoh Giken

Manufacturer Part Number:

SSC-PE1G-511251A306G • SSC-PE1G-511261A306G • SSC-PE2G-5B1251A306G
 SSC-PE2G-5B1261A306G • SSC-PE3G-5C1251A306G • SSC-PE3G-5C1261A306G
 SSC-PNE1G-811251B306G • SSC-PNE1G-811261B306G • SSC-PNE2G-8B1251B306G
 SSC-PNE2G-8B1261B306G • SSC-PNE3G-8C1251B306G • SSC-PNE3G-8C1261B306G
 SSC-PQE1G-C11261A306G • SSC-PQE2G-CB1261A306G • SSC-PBE3G-AC1261A306G

QC-ZW-005-3
GS-SC Plug



Unit: mm

Figure 8 ①-2 Main Body(for SC/APC)

Contact the professionals at Fiber Optic Center for a quote or to get more details.

focenter.com • 508-992-6464 | (800) 473-4237 • sales@focenter.com

23 Centre Street • New Bedford, MA 02740 USA

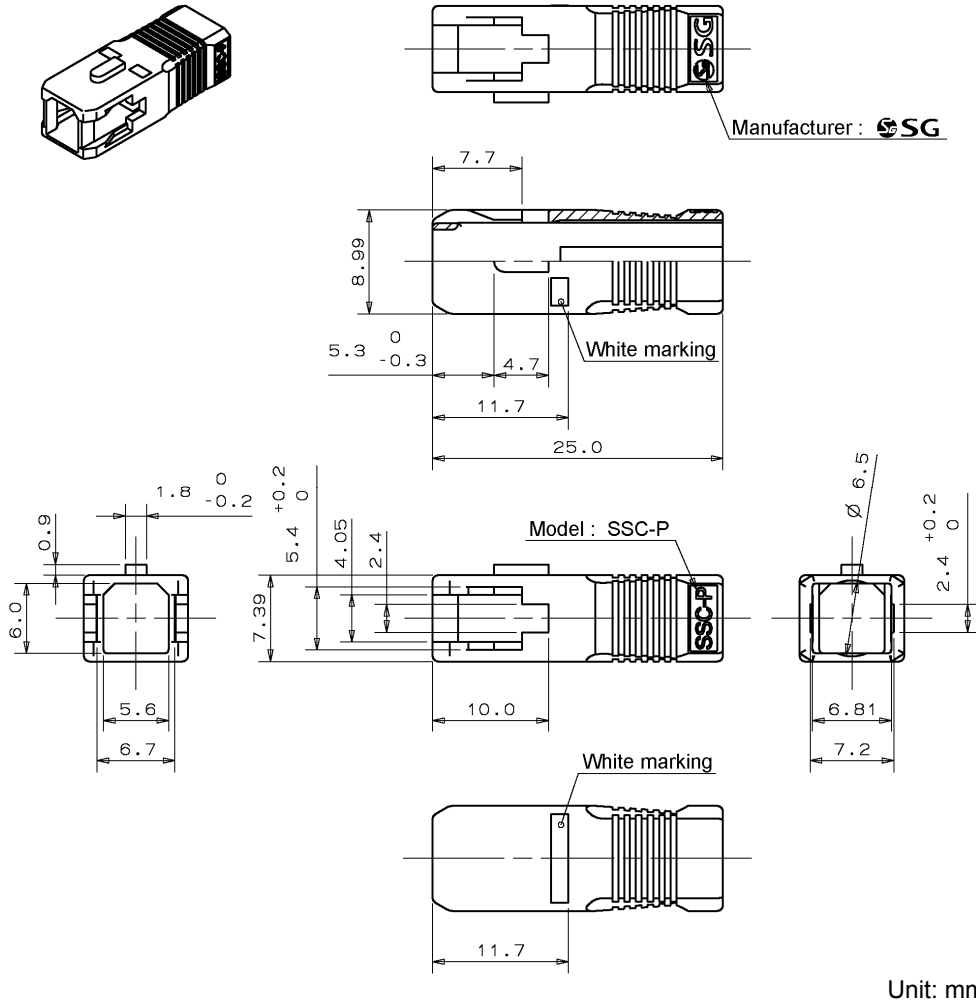


Manufacturer:
Seikoh Giken

Manufacturer Part Number:

- SSC-PE1G-511251A306G • SSC-PE1G-511261A306G • SSC-PE2G-5B1251A306G
- SSC-PE2G-5B1261A306G • SSC-PE3G-5C1251A306G • SSC-PE3G-5C1261A306G
- SSC-PNE1G-811251B306G • SSC-PNE1G-811261B306G • SSC-PNE2G-8B1251B306G
- SSC-PNE2G-8B1261B306G • SSC-PNE3G-8C1251B306G • SSC-PNE3G-8C1261B306G
- SSC-PQE1G-C11261A306G • SSC-PQE2G-CB1261A306G • SSC-PBE3G-AC1261A306G

QC-ZW-005-3
GS-SC Plug



Unit: mm

Figure 9 @Grip

Contact the professionals at Fiber Optic Center for a quote or to get more details.

focenter.com • 508-992-6464 | (800) 473-4237 • sales@focenter.com
23 Centre Street • New Bedford, MA 02740 USA

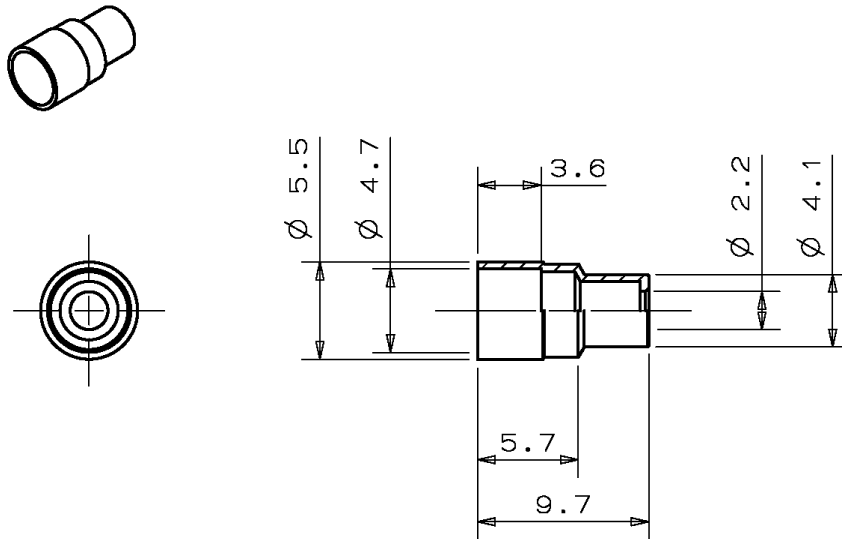


Manufacturer:
Seikoh Giken

Manufacturer Part Number:

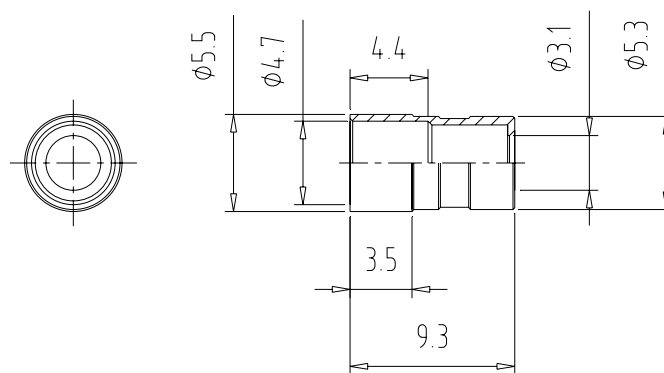
SSC-PE1G-511251A306G • SSC-PE1G-511261A306G • SSC-PE2G-5B1251A306G
 SSC-PE2G-5B1261A306G • SSC-PE3G-5C1251A306G • SSC-PE3G-5C1261A306G
 SSC-PNE1G-811251B306G • SSC-PNE1G-811261B306G • SSC-PNE2G-8B1251B306G
 SSC-PNE2G-8B1261B306G • SSC-PNE3G-8C1251B306G • SSC-PNE3G-8C1261B306G
 SSC-PQE1G-C11261A306G • SSC-PQE2G-CB1261A306G • SSC-PBE3G-AC1261A306G

QC-ZW-005-3
GS-SC Plug



Unit: mm

Figure 10 ③-1 Crimping Ring (for \varnothing 2 mm cord)



Unit: mm

Figure 11 ③-2 Crimping Ring (for \varnothing 3 mm cord)

Contact the professionals at Fiber Optic Center for a quote or to get more details.

focenter.com • 508-992-6464 | (800) 473-4237 • sales@focenter.com

23 Centre Street • New Bedford, MA 02740 USA

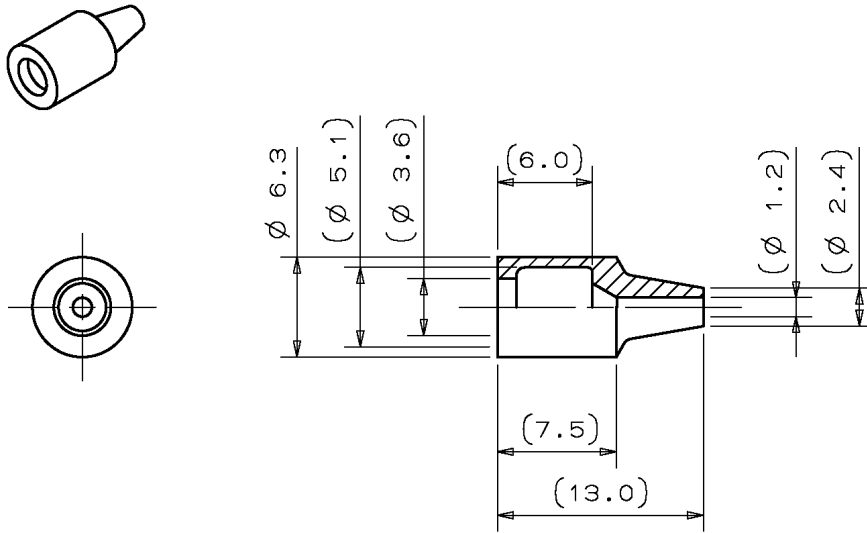


Manufacturer:
Seikoh Giken

Manufacturer Part Number:

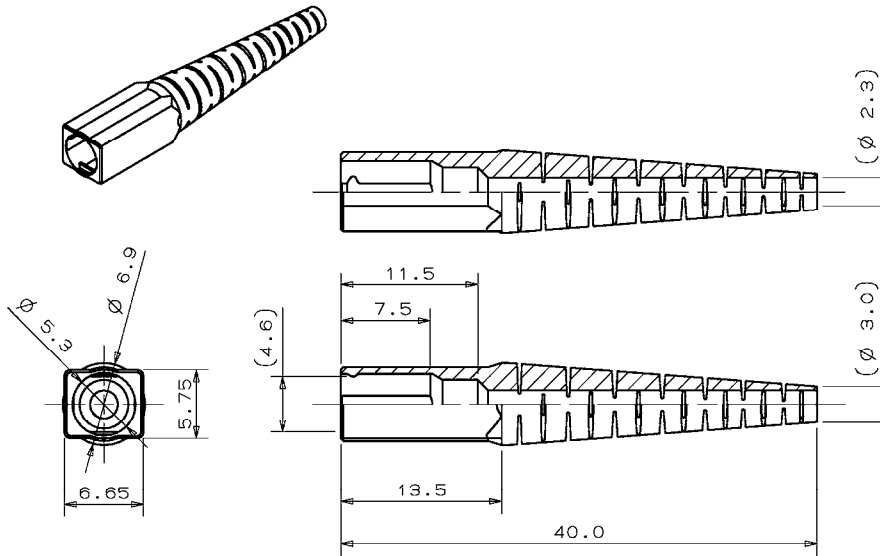
SSC-PE1G-511251A306G • SSC-PE1G-511261A306G • SSC-PE2G-5B1251A306G
 SSC-PE2G-5B1261A306G • SSC-PE3G-5C1251A306G • SSC-PE3G-5C1261A306G
 SSC-PNE1G-811251B306G • SSC-PNE1G-811261B306G • SSC-PNE2G-8B1251B306G
 SSC-PNE2G-8B1261B306G • SSC-PNE3G-8C1251B306G • SSC-PNE3G-8C1261B306G
 SSC-PQE1G-C11261A306G • SSC-PQE2G-CB1261A306G • SSC-PBE3G-AC1261A306G

QC-ZW-005-3
GS-SC Plug



Unit: mm

Figure 12 ④-1 Boot (for \varnothing 0.9 mm buffered fiber, rubber boot)



Unit: mm

Figure 13 ④-2 Boot (for \varnothing 2 mm cord)

Contact the professionals at Fiber Optic Center for a quote or to get more details.

focenter.com • 508-992-6464 | (800) 473-4237 • sales@focenter.com

23 Centre Street • New Bedford, MA 02740 USA

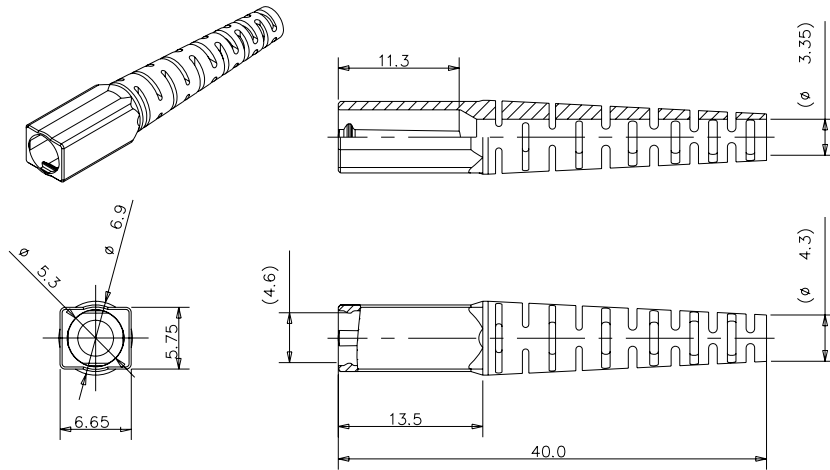


Manufacturer:
Seikoh Giken

Manufacturer Part Number:

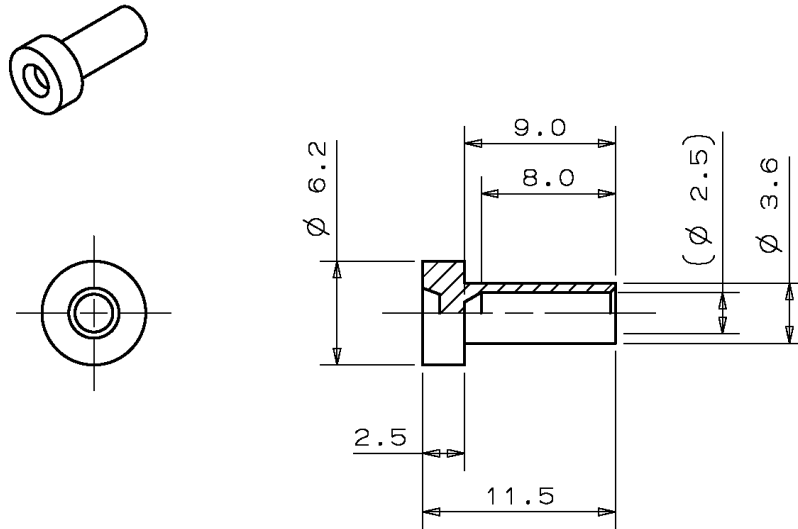
SSC-PE1G-511251A306G • SSC-PE1G-511261A306G • SSC-PE2G-5B1251A306G
 SSC-PE2G-5B1261A306G • SSC-PE3G-5C1251A306G • SSC-PE3G-5C1261A306G
 SSC-PNE1G-811251B306G • SSC-PNE1G-811261B306G • SSC-PNE2G-8B1251B306G
 SSC-PNE2G-8B1261B306G • SSC-PNE3G-8C1251B306G • SSC-PNE3G-8C1261B306G
 SSC-PQE1G-C11261A306G • SSC-PQE2G-CB1261A306G • SSC-PBE3G-AC1261A306G

QC-ZW-005-3
GS-SC Plug



Unit: mm

Figure 14 ④-3 Boot (for \varnothing 3 mm cord)



Unit: mm

Figure 15 ⑤Cap (Ferrule Cap)

Contact the professionals at Fiber Optic Center for a quote or to get more details.

focenter.com • 508-992-6464 | (800) 473-4237 • sales@focenter.com

23 Centre Street • New Bedford, MA 02740 USA