



**Manufacturer:**  
Seikoh Giken

**Product Name:**  
Seikoh Giken Gold Standard SM SC Connector 125um (900um) Blue

**Manufacturer Part Number:**  
SSC-PE1G-511251A306G



▶ [Click here for more details on the Seikoh Giken Gold Standard SM SC Connector 125um \(900um\) Blue](#)

# GS-SC Series

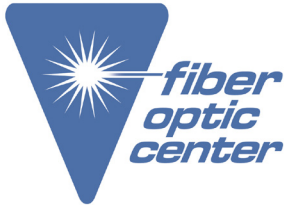
## SC CONNECTOR PLUG

### TECHNICAL SPECIFICATIONS

**Contact the professionals at Fiber Optic Center for a quote or to get more details.**

[focenter.com](http://focenter.com) • 508-992-6464 | (800) 473-4237 • [sales@focenter.com](mailto:sales@focenter.com)

23 Centre Street • New Bedford, MA 02740 USA



**Manufacturer:**

Seikoh Giken

**Product Name:**

Seikoh Giken Gold Standard SM SC Connector 125um (900um) Blue

**Manufacturer Part Number:**

SSC-PE1G-511251A306G

▶ [Click here for more details on the Seikoh Giken Gold Standard SM SC Connector 125um \(900um\) Blue](#)

QC-ZW-005-0 May 2013

QC-ZW-005-1 Mar 2014

QC-ZW-005-2 Apr 2014

QC-ZW-005-3 Aug 2015

Copyright © 2013 by Seikoh Giken Hangzhou Co., Ltd.

All right reserved.

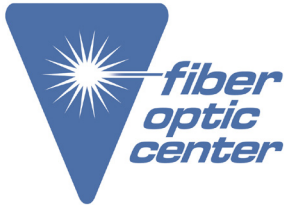
The information contained herein shall not be reproduced or disclosed to any third party without the express written consent of Seikoh Giken Hangzhou Co., Ltd.

The specifications and materials contained herein are subject to change without notice.

**Contact the professionals at Fiber Optic Center for a quote or to get more details.**

[focenter.com](http://focenter.com) • 508-992-6464 | (800) 473-4237 • [sales@focenter.com](mailto:sales@focenter.com)

23 Centre Street • New Bedford, MA 02740 USA



**Manufacturer:**  
Seikoh Giken

**Product Name:**  
Seikoh Giken Gold Standard SM SC Connector 125um (900um) Blue

**Manufacturer Part Number:**  
SSC-PE1G-511251A306G

▶ [Click here for more details on the Seikoh Giken Gold Standard SM SC Connector 125um \(900um\) Blue](#)

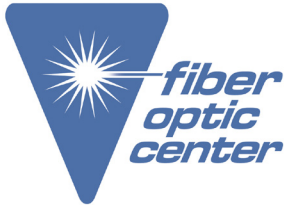
## TABLE OF CONTENTS

Section	Page
1 SCOPE	1
2 PART NUMBER	1-5
3 GENERAL SPECIFICATIONS	6
3.1 Parts and Materials	6
3.2 Physical Dimensions	7
3.3 General Tolerance	7
3.4 Appearance	7
4 PACKING	7
5 IDENTIFICATION	7
6 HANDLING AND CARE	8
6.1 Conditions of Storage	8
6.2 Precautions of Use	8
6.3 Disposal	8
7 FIGURE	9-17

**Contact the professionals at Fiber Optic Center for a quote or to get more details.**

[focenter.com](http://focenter.com) • 508-992-6464 | (800) 473-4237 • [sales@focenter.com](mailto:sales@focenter.com)

23 Centre Street • New Bedford, MA 02740 USA



**Manufacturer:**  
Seikoh Giken

**Product Name:**  
Seikoh Giken Gold Standard SM SC Connector 125um (900um) Blue

**Manufacturer Part Number:**  
SSC-PE1G-511251A306G

▶ Click here for more details on the Seikoh Giken Gold Standard SM SC Connector 125um (900um) Blue

1 SCOPE

These specifications apply to the GS SC series SC connector plug for  $\Phi$ 0.9mm buffered fiber and  $\Phi$ 2mm cord supplied by SEIKOH GIKEN Co., Ltd.

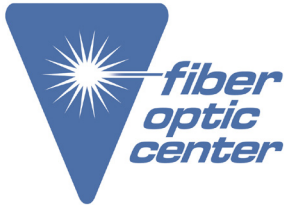
2 PART NUMBER

Part number of the connector plug is shown in Table 1.

Table 1 Part Number

SC/PC 0.9mm SM													
<b>SSC-PE1G</b>													
<u>5</u>	<u>1</u>												
<u>125</u>	<u>1</u>												
<u>A</u>	<u>306G</u>												
<table border="1"> <tr><td colspan="2">Boot Color</td></tr> <tr><td>1</td><td>Black</td></tr> <tr><td>2</td><td>Red</td></tr> <tr><td>5</td><td>Blue</td></tr> </table>	Boot Color		1	Black	2	Red	5	Blue	<table border="1"> <tr><td colspan="2">Cap</td></tr> <tr><td>A</td><td>Black Ferrule Cap</td></tr> </table>	Cap		A	Black Ferrule Cap
Boot Color													
1	Black												
2	Red												
5	Blue												
Cap													
A	Black Ferrule Cap												
<table border="1"> <tr><td colspan="2">Boot I.D.(mm)</td></tr> <tr><td>1</td><td>For <math>\Phi</math>0.9mm buffered fiber(Rubber)</td></tr> </table>	Boot I.D.(mm)		1	For $\Phi$ 0.9mm buffered fiber(Rubber)	<table border="1"> <tr><td colspan="2">Marking</td></tr> <tr><td>1</td><td>SG</td></tr> </table>	Marking		1	SG				
Boot I.D.(mm)													
1	For $\Phi$ 0.9mm buffered fiber(Rubber)												
Marking													
1	SG												
	<table border="1"> <tr><td colspan="2">Ferrule I.D.(um)</td></tr> <tr><td>125</td><td><math>\Phi</math> 125</td></tr> </table>	Ferrule I.D.(um)		125	$\Phi$ 125								
Ferrule I.D.(um)													
125	$\Phi$ 125												
SC/APC (Conical) 0.9mm SM													
<b>SSC-PNE1G</b>													
<u>8</u>	<u>1</u>												
<u>125</u>	<u>1</u>												
<u>B</u>	<u>306G</u>												
<table border="1"> <tr><td colspan="2">Boot Color</td></tr> <tr><td>1</td><td>Black</td></tr> <tr><td>2</td><td>Red</td></tr> <tr><td>8</td><td>Green</td></tr> </table>	Boot Color		1	Black	2	Red	8	Green	<table border="1"> <tr><td colspan="2">Cap</td></tr> <tr><td>B</td><td>Green Ferrule Cap</td></tr> </table>	Cap		B	Green Ferrule Cap
Boot Color													
1	Black												
2	Red												
8	Green												
Cap													
B	Green Ferrule Cap												
<table border="1"> <tr><td colspan="2">Boot I.D.(mm)</td></tr> <tr><td>1</td><td>For <math>\Phi</math>0.9mm buffered fiber(Rubber)</td></tr> </table>	Boot I.D.(mm)		1	For $\Phi$ 0.9mm buffered fiber(Rubber)	<table border="1"> <tr><td colspan="2">Marking</td></tr> <tr><td>1</td><td>SG</td></tr> </table>	Marking		1	SG				
Boot I.D.(mm)													
1	For $\Phi$ 0.9mm buffered fiber(Rubber)												
Marking													
1	SG												
	<table border="1"> <tr><td colspan="2">Ferrule I.D.(um)</td></tr> <tr><td>125</td><td><math>\Phi</math> 125</td></tr> </table>	Ferrule I.D.(um)		125	$\Phi$ 125								
Ferrule I.D.(um)													
125	$\Phi$ 125												

Contact the professionals at Fiber Optic Center for a quote or to get more details.



**Manufacturer:**  
Seikoh Giken

**Product Name:**  
Seikoh Giken Gold Standard SM SC Connector 125um (900um) Blue

**Manufacturer Part Number:**  
SSC-PE1G-511251A306G

▶ Click here for more details on the Seikoh Giken Gold Standard SM SC Connector 125um (900um) Blue

SC/PC 0.9mm MM

**SSC-PBE1G    C   1   126   1   A   306G**

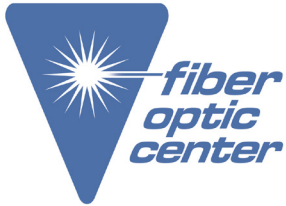
Housing Color		Cap	
B	Beige	A	Black Ferrule Cap
Q	Aqua	Marking	
Boot Color		1   SG	
0	No Boot	Ferrule I.D.(um)	
1	Black	126   Φ 126	
2	Red	Boot I.D.(mm)	
6	Magenta	1   For Φ0.9mm buffered fiber(Rubber)	
C	White		

SC/PC 2mm SM

**SSC-PE2G    5   B   125   1   A   306G**

Boot Color		Cap	
1	Black	A	Black Ferrule Cap
2	Red	Marking	
5	Blue	1   SG	
C	White	Ferrule I.D.(um)	
Boot I.D.(mm)		125   Φ 125	
B	For Φ2mm Cord		

Contact the professionals at Fiber Optic Center for a quote or to get more details.



**Manufacturer:**  
Seikoh Giken

**Product Name:**  
Seikoh Giken Gold Standard SM SC Connector 125um (900um) Blue

**Manufacturer Part Number:**  
SSC-PE1G-511251A306G

▶ Click here for more details on the Seikoh Giken Gold Standard SM SC Connector 125um (900um) Blue

SC/APC (Conical) 2mm SM

<b>SSC-PNE2G</b>	<b><u>8</u></b>	<b><u>B</u></b>	<b><u>125</u></b>	<b><u>1</u></b>	<b><u>B</u></b>	<b>306G</b>
------------------	-----------------	-----------------	-------------------	-----------------	-----------------	-------------

Boot Color	
1	Black
2	Red
8	Green

Cap	
B	Green Ferrule Cap

Marking	
1	SG

Boot I.D.(mm)	
B	For $\Phi$ 2mm Cord

Ferrule I.D.(um)	
125	$\Phi$ 125
12F	$\Phi$ 125.5

SC/PC 2mm MM

<b>SSC-PBE2G</b>	<b><u>C</u></b>	<b><u>B</u></b>	<b><u>126</u></b>	<b><u>1</u></b>	<b><u>A</u></b>	<b>306G</b>
------------------	-----------------	-----------------	-------------------	-----------------	-----------------	-------------

Housing Color	
B	Beige
Q	Aqua

Cap	
A	Black Ferrule Cap

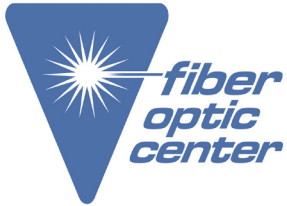
Marking	
1	SG

Boot Color	
1	Black
2	Red
6	Magenta
A	Beige
C	White

Ferrule I.D.(um)	
126	$\Phi$ 126

Boot I.D.(mm)	
B	For $\Phi$ 2mm Cord

Contact the professionals at Fiber Optic Center for a quote or to get more details.



**Manufacturer:**  
Seikoh Giken

**Product Name:**  
Seikoh Giken Gold Standard SM SC Connector 125um (900um) Blue

**Manufacturer Part Number:**  
SSC-PE1G-511251A306G

▶ [Click here for more details on the Seikoh Giken Gold Standard SM SC Connector 125um \(900um\) Blue](#)

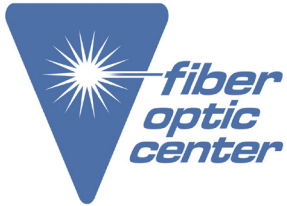
SC/PC 3mm SM

<b>SSC-PE3G</b>	<b><u>5</u></b>	<b><u>C</u></b>	<b><u>125</u></b>	<b><u>1</u></b>	<b><u>A</u></b>	<b>306G</b>										
<table border="1"> <tr><td colspan="2">Boot Color</td></tr> <tr><td>5</td><td>Blue</td></tr> <tr><td>C</td><td>White</td></tr> </table>		Boot Color		5	Blue	C	White			<table border="1"> <tr><td colspan="2">Cap</td></tr> <tr><td>A</td><td>Black Ferrule Cap</td></tr> </table>		Cap		A	Black Ferrule Cap	
Boot Color																
5	Blue															
C	White															
Cap																
A	Black Ferrule Cap															
				<table border="1"> <tr><td colspan="2">Marking</td></tr> <tr><td>1</td><td>SG</td></tr> </table>		Marking		1	SG							
Marking																
1	SG															
<table border="1"> <tr><td colspan="2">Boot I.D.(mm)</td></tr> <tr><td>C</td><td>For <math>\Phi</math>3mm Cord</td></tr> </table>		Boot I.D.(mm)		C	For $\Phi$ 3mm Cord	<table border="1"> <tr><td colspan="2">Ferrule I.D.(um)</td></tr> <tr><td>125</td><td><math>\Phi</math> 125</td></tr> </table>		Ferrule I.D.(um)		125	$\Phi$ 125					
Boot I.D.(mm)																
C	For $\Phi$ 3mm Cord															
Ferrule I.D.(um)																
125	$\Phi$ 125															

SC/APC (Conical) 3mm SM

<b>SSC-PNE3G</b>	<b><u>8</u></b>	<b><u>C</u></b>	<b><u>125</u></b>	<b><u>1</u></b>	<b><u>B</u></b>	<b>306G</b>										
<table border="1"> <tr><td colspan="2">Boot Color</td></tr> <tr><td>8</td><td>Green</td></tr> </table>		Boot Color		8	Green			<table border="1"> <tr><td colspan="2">Cap</td></tr> <tr><td>B</td><td>Green Ferrule Cap</td></tr> </table>		Cap		B	Green Ferrule Cap			
Boot Color																
8	Green															
Cap																
B	Green Ferrule Cap															
				<table border="1"> <tr><td colspan="2">Marking</td></tr> <tr><td>1</td><td>SG</td></tr> </table>		Marking		1	SG							
Marking																
1	SG															
<table border="1"> <tr><td colspan="2">Boot I.D.(mm)</td></tr> <tr><td>C</td><td>For <math>\Phi</math>3mm Cord</td></tr> </table>		Boot I.D.(mm)		C	For $\Phi$ 3mm Cord	<table border="1"> <tr><td colspan="2">Ferrule I.D.(um)</td></tr> <tr><td>125</td><td><math>\Phi</math> 125</td></tr> <tr><td>12F</td><td><math>\Phi</math> 125.5</td></tr> </table>		Ferrule I.D.(um)		125	$\Phi$ 125	12F	$\Phi$ 125.5			
Boot I.D.(mm)																
C	For $\Phi$ 3mm Cord															
Ferrule I.D.(um)																
125	$\Phi$ 125															
12F	$\Phi$ 125.5															

**Contact the professionals at Fiber Optic Center for a quote or to get more details.**

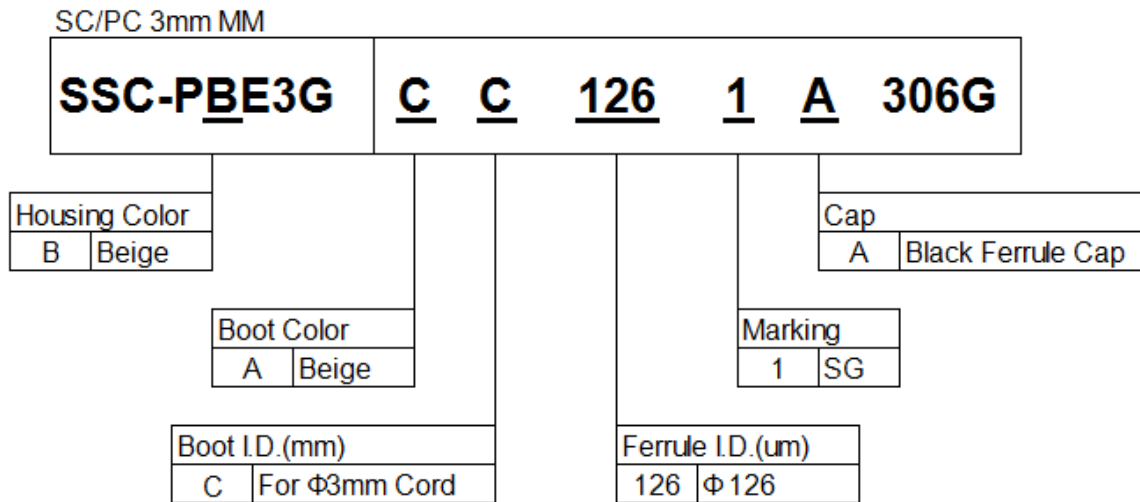


**Manufacturer:**  
Seikoh Giken

**Product Name:**  
Seikoh Giken Gold Standard SM SC Connector 125um (900um) Blue

**Manufacturer Part Number:**  
SSC-PE1G-511251A306G

▶ [Click here for more details on the Seikoh Giken Gold Standard SM SC Connector 125um \(900um\) Blue](#)



**Contact the professionals at Fiber Optic Center for a quote or to get more details.**





**Manufacturer:**  
Seikoh Giken

**Product Name:**  
Seikoh Giken Gold Standard SM SC Connector 125um (900um) Blue

**Manufacturer Part Number:**  
SSC-PE1G-511251A306G

▶ Click here for more details on the Seikoh Giken Gold Standard SM SC Connector 125um (900um) Blue

### 3 GENERAL SPECIFICATIONS

#### 3.1 Parts and Materials

Parts and materials are shown in Table 2, 3.

Table 2 Parts and Materials

Item	Part Name	Qty	Material	Notes
①-1	Main Body	1	See Table 3	For SC/PC
①-2				For SC/APC
②	Grip	1	PBT GF	Flammability UL94 V-0
③-1	Crimping Ring <sup>Note 2</sup>	1	Aluminum Alloy	for ø 2 mm cord
③-2				for ø 3 mm cord
④-1	Boot	1	Silicone rubber	for ø 0.9 mm buffered fiber rubber boot, Flammability UL94 V-0
④-2			TPE	for ø 2 mm cord Equivalent to Flammability UL94 V-0
④-3			TPE	for ø 3 mm cord Equivalent to Flammability UL94 V-0
⑤	Cap	1	PP	Ferrule Cap

Notes: 1 Item on Table 2 corresponds to the item reference number on Figure 1 to 15.

2 ③Crimping Ring is not included for ø 0.9 mm buffered fiber type.

Table 3 Parts and Materials of Main Body

Item	Part Name	Qty	Material	Notes
⑦	Capillary	1	Zirconia	-
⑧	Flange	1	Brass	Nickel Plating
⑨	Plug Frame	1	PBT GF	White, Flammability UL94 V-0
⑩	Spring	1	Stainless Steel	-
⑪	Stop Ring	1	Brass	Nickel Plating
⑫	Heat-shrinkable Tube	1	EVA	Black, Flammability VW-1

Note: Item on Table 3 corresponds to the item reference number on Figure 7 and 8.

Contact the professionals at Fiber Optic Center for a quote or to get more details.

[focenter.com](http://focenter.com) • 508-992-6464 | (800) 473-4237 • [sales@focenter.com](mailto:sales@focenter.com)

23 Centre Street • New Bedford, MA 02740 USA



**Manufacturer:**  
Seikoh Giken

**Product Name:**  
Seikoh Giken Gold Standard SM SC Connector 125um (900um) Blue

**Manufacturer Part Number:**  
SSC-PE1G-511251A306G

▶ Click here for more details on the Seikoh Giken Gold Standard SM SC Connector 125um (900um) Blue

### 3.2 Physical Dimensions

Figure 1 to 6 shows the SC-0.9 and SC-2.0 and SC-3.0 series connector plug  
Figure 7 and 8 shows the main body  
Figure 9 to 15 shows the dimensions of the parts

- In accordance with IEC 61754-4 Type SC connector family.
- In accordance with JIS C 5973 F04 Type connectors.

### 3.3 General Tolerances

Permissible deviation in dimensions without tolerance indication is in accordance with ISO 2768-m (JIS B 0405-m), as shown in Table 5.

Table 5 General Tolerance (ISO 2768-m)

Basic size step [mm]		Permissible deviation [mm]
Over	Under	
0.5	3	±0.1
3	6	±0.1
6	30	±0.2
30	120	±0.3

### 3.4 Appearance

There should be no burr, peeling of plating or scratches that affect the product.

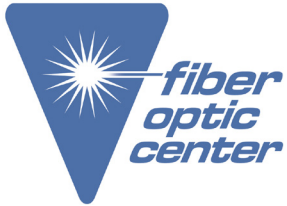
## 4 PACKING

The product is packed to prevent damage during shipment.

## 5 IDENTIFICATION

Identification label should indicate the part number and the lot number of the product(s) and should be permanently attached to the packing bag.

**Contact the professionals at Fiber Optic Center for a quote or to get more details.**



**Manufacturer:**

Seikoh Giken

**Product Name:**

Seikoh Giken Gold Standard SM SC Connector 125um (900um) Blue

**Manufacturer Part Number:**

SSC-PE1G-511251A306G

▶ [Click here for more details on the Seikoh Giken Gold Standard SM SC Connector 125um \(900um\) Blue](#)

## 6 HANDLING AND CARE

### 6.1 Conditions of Storage

For storage of the product, keep in the packing bag and keep away from corrosive gas, high-temperature and humidity, extreme-low temperature and direct sunlight.

### 6.2 Precautions for Use

Contamination, oil, sweat and others debris on the ferrule end face may influence the performance of the product. If contamination is on the ferrule end face, wipe the end face with the end face cleaner.

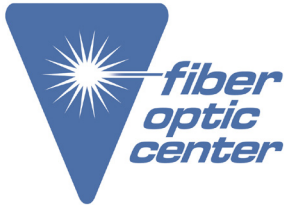
### 6.3 Disposal

When discarding this product, please follow the regulations of your own country.

**Contact the professionals at Fiber Optic Center for a quote or to get more details.**

[focenter.com](http://focenter.com) • 508-992-6464 | (800) 473-4237 • [sales@focenter.com](mailto:sales@focenter.com)

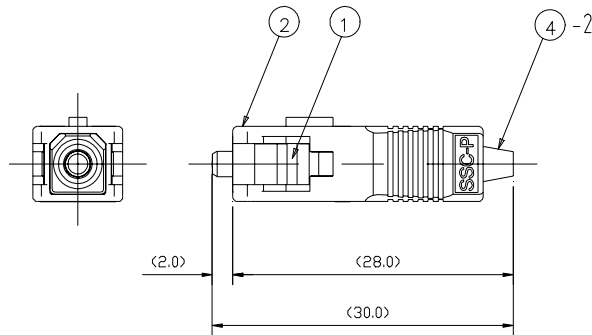
23 Centre Street • New Bedford, MA 02740 USA



**Manufacturer:**  
Seikoh Giken  
**Product Name:**  
Seikoh Giken Gold Standard SM SC Connector 125um (900um) Blue  
**Manufacturer Part Number:**  
SSC-PE1G-511251A306G

▶ Click here for more details on the Seikoh Giken Gold Standard SM SC Connector 125um (900um) Blue

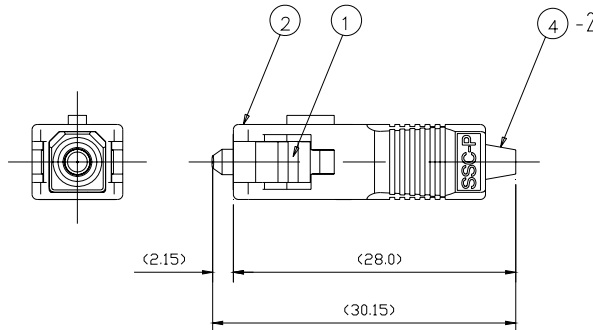
7 FIGURE



Unit: mm

Figure 1 GS-SC/PC Series Connector Plug (for  $\varnothing$  0.9 mm buffered fiber, rubber boot)

- Notes: 1 This drawing shows the tentatively assembled condition.  
On practical shipment of GS-SC/PC connector plug, this tentative assembly is not available.  
2 This drawing does not include the cap.



Unit: mm

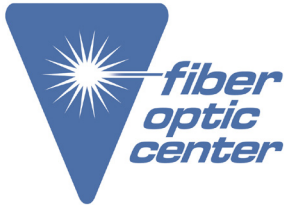
Figure 2 GS-SC/APC Series Connector Plug (for  $\varnothing$  0.9 mm buffered fiber, rubber boot)

- Notes: 1 This drawing shows the tentatively assembled condition.  
On practical shipment of GS-SC/APC connector plug, this tentative assembly is not available.  
2 This drawing does not include the cap.

Contact the professionals at Fiber Optic Center for a quote or to get more details.

[focenter.com](http://focenter.com) • 508-992-6464 | (800) 473-4237 • [sales@focenter.com](mailto:sales@focenter.com)

23 Centre Street • New Bedford, MA 02740 USA

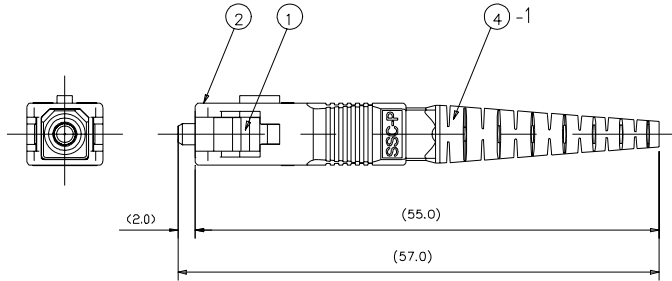


**Manufacturer:**  
Seikoh Giken

**Product Name:**  
Seikoh Giken Gold Standard SM SC Connector 125um (900um) Blue

**Manufacturer Part Number:**  
SSC-PE1G-511251A306G

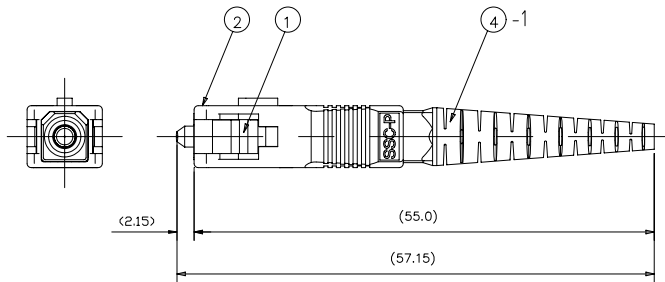
▶ Click here for more details on the Seikoh Giken Gold Standard SM SC Connector 125um (900um) Blue



Unit: mm

Figure 3 GS-SC/PC Series Connector Plug (for ø 2 mm cord)

- Notes: 1 This drawing shows the tentatively assembled condition.  
On practical shipment of GS-SC/PC connector plug, this tentative assembly is not available.
- 2 This drawing does not include the cap.



Unit: mm

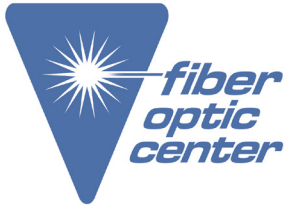
Figure 4 GS-SC/APC Series Connector Plug (for ø 2 mm cord)

- Notes: 1 This drawing shows the tentatively assembled condition.  
On practical shipment of GS-SC/APC connector plug, this tentative assembly is not available.
- 2 This drawing does not include the cap.

Contact the professionals at Fiber Optic Center for a quote or to get more details.

[focenter.com](http://focenter.com) • 508-992-6464 | (800) 473-4237 • [sales@focenter.com](mailto:sales@focenter.com)

23 Centre Street • New Bedford, MA 02740 USA

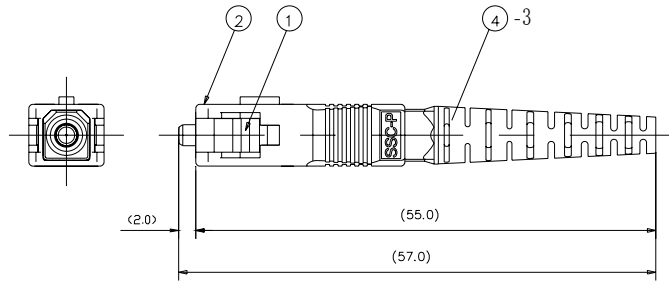


**Manufacturer:**  
Seikoh Giken

**Product Name:**  
Seikoh Giken Gold Standard SM SC Connector 125um (900um) Blue

**Manufacturer Part Number:**  
SSC-PE1G-511251A306G

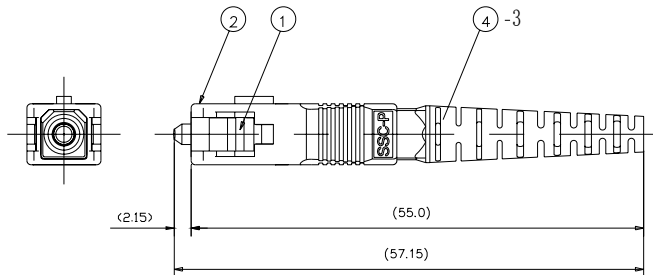
▶ [Click here for more details on the Seikoh Giken Gold Standard SM SC Connector 125um \(900um\) Blue](#)



Unit: mm

Figure 5 GS-SC/PC Series Connector Plug (for ø 3 mm cord)

- Notes: 1 This drawing shows the tentatively assembled condition. On practical shipment of GS-SC/PC connector plug, this tentative assembly is not available.  
2 This drawing does not include the cap.



Unit: mm

Figure 6 GS-SC/APC Series Connector Plug (for ø 3 mm cord)

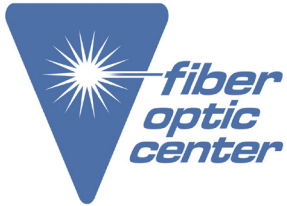
- Notes: 1 This drawing shows the tentatively assembled condition. On practical shipment of GS-SC/APC connector plug, this tentative assembly is not available.  
2 This drawing does not include the cap.

**Contact the professionals at Fiber Optic Center for a quote or to get more details.**

[focenter.com](http://focenter.com) • 508-992-6464 | (800) 473-4237 • [sales@focenter.com](mailto:sales@focenter.com)

23 Centre Street • New Bedford, MA 02740 USA



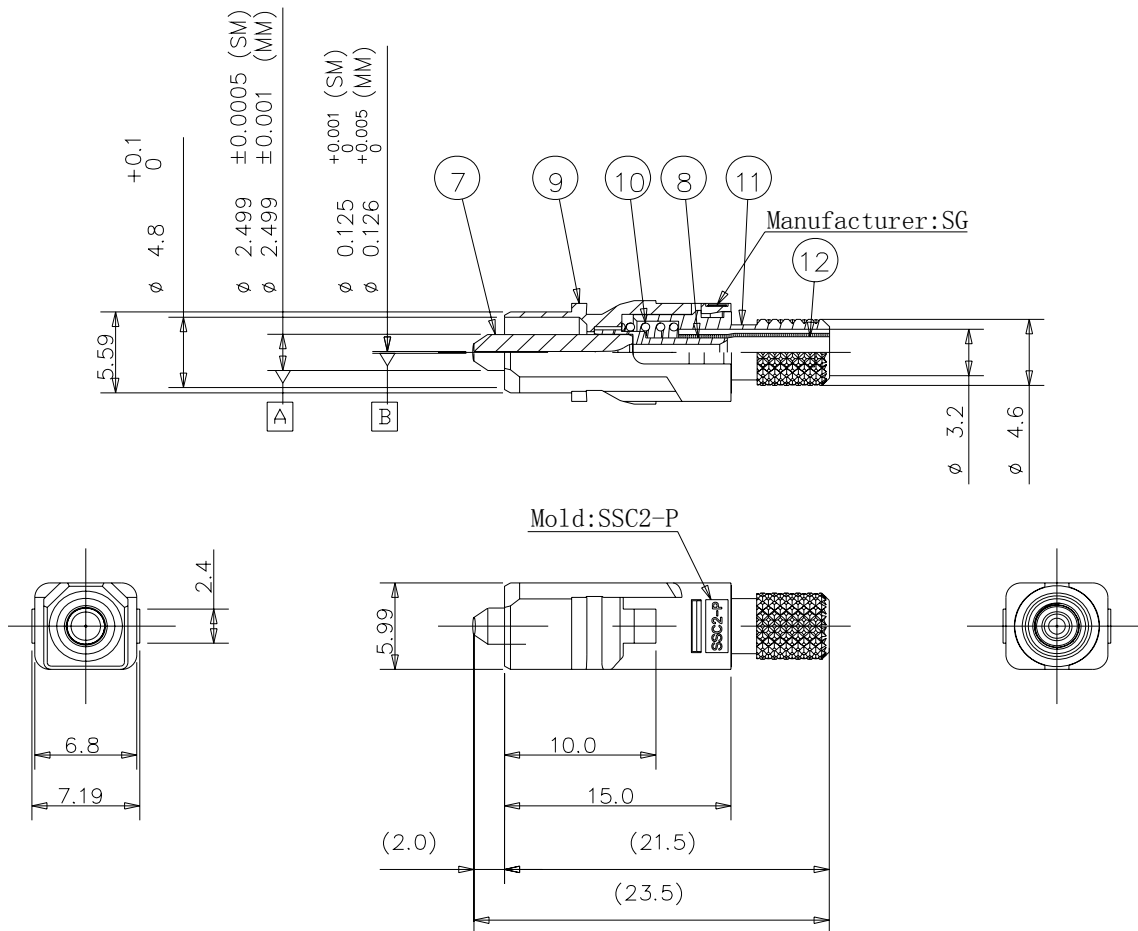


**Manufacturer:**  
Seikoh Giken

**Product Name:**  
Seikoh Giken Gold Standard SM SC Connector 125um (900um) Blue

**Manufacturer Part Number:**  
SSC-PE1G-511251A306G

▶ Click here for more details on the Seikoh Giken Gold Standard SM SC Connector 125um (900um) Blue



Unit: mm

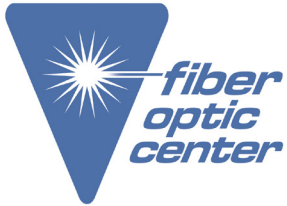
Figure 8 ①-2 Main Body(for SC/APC)

Contact the professionals at Fiber Optic Center for a quote or to get more details.

[focenter.com](http://focenter.com) • 508-992-6464 | (800) 473-4237 • [sales@focenter.com](mailto:sales@focenter.com)

23 Centre Street • New Bedford, MA 02740 USA





**Manufacturer:**  
Seikoh Giken

**Product Name:**  
Seikoh Giken Gold Standard SM SC Connector 125um (900um) Blue

**Manufacturer Part Number:**  
SSC-PE1G-511251A306G

▶ [Click here for more details on the Seikoh Giken Gold Standard SM SC Connector 125um \(900um\) Blue](#)

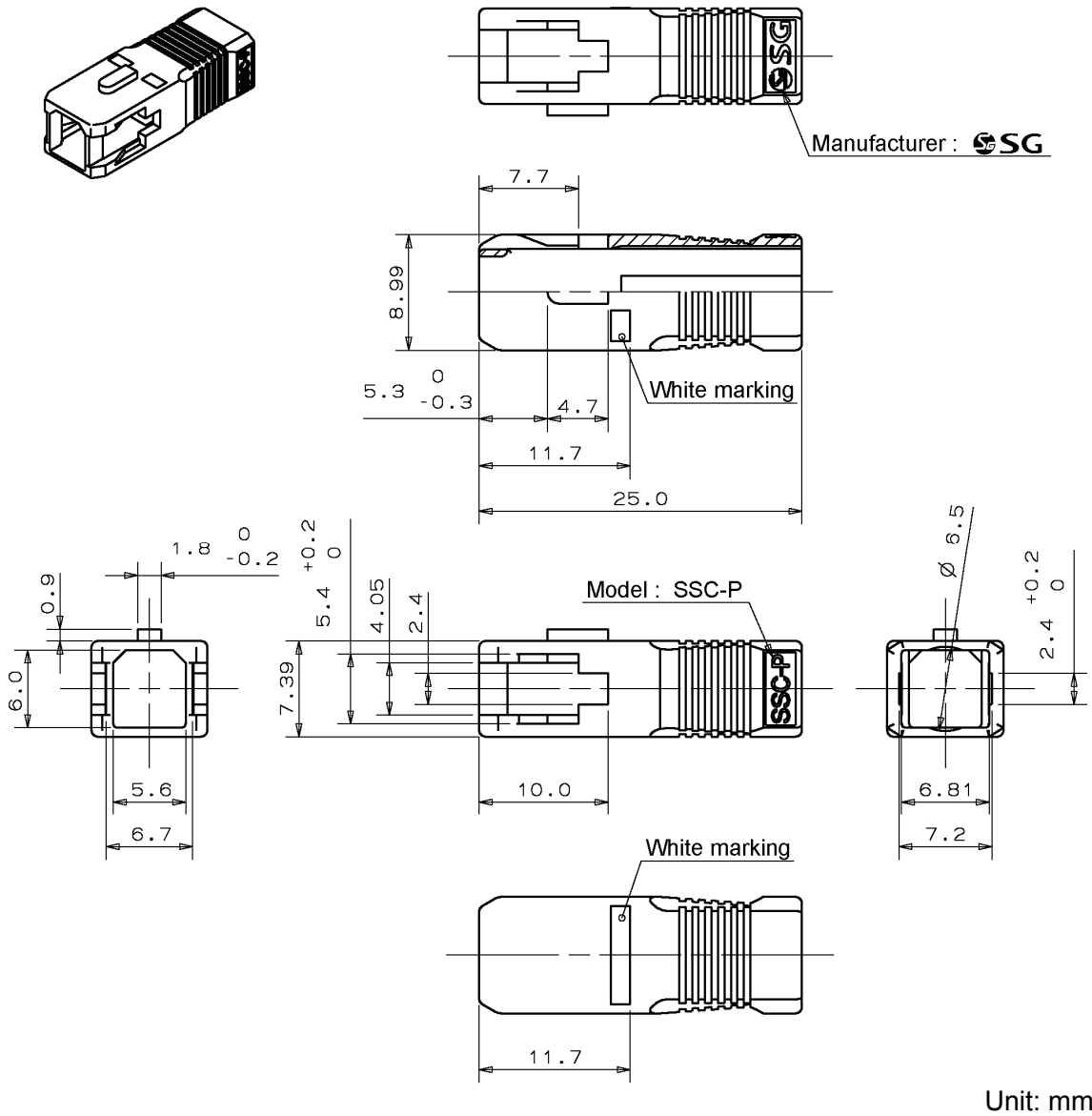
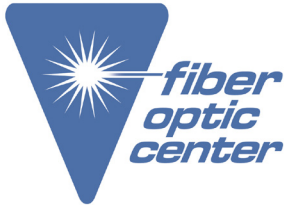


Figure 9 ②Grip

Contact the professionals at Fiber Optic Center for a quote or to get more details.

[focenter.com](http://focenter.com) • 508-992-6464 | (800) 473-4237 • [sales@focenter.com](mailto:sales@focenter.com)

23 Centre Street • New Bedford, MA 02740 USA

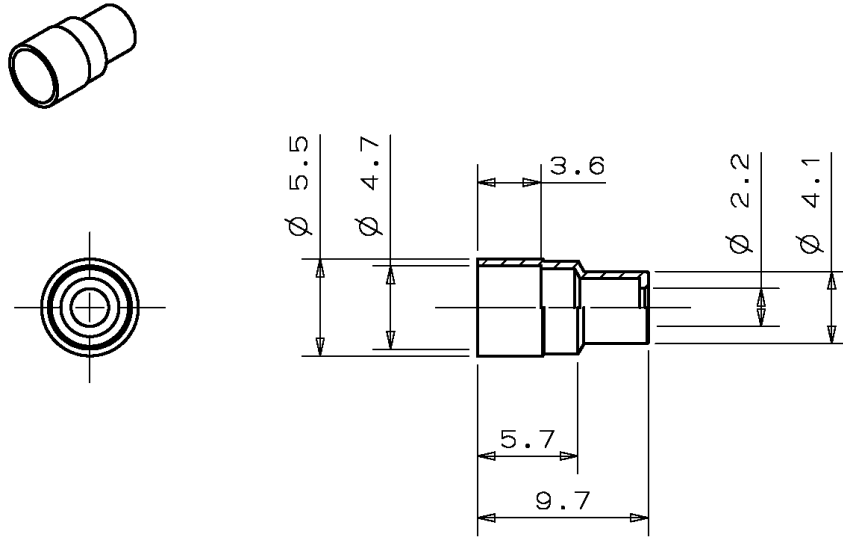


**Manufacturer:**  
Seikoh Giken

**Product Name:**  
Seikoh Giken Gold Standard SM SC Connector 125um (900um) Blue

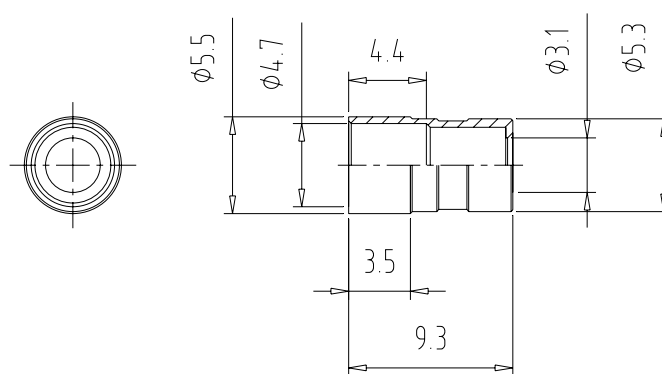
**Manufacturer Part Number:**  
SSC-PE1G-511251A306G

▶ Click here for more details on the Seikoh Giken Gold Standard SM SC Connector 125um (900um) Blue



Unit: mm

Figure 10 ③-1 Crimping Ring (for  $\varnothing$  2 mm cord)



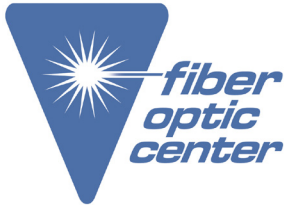
Unit: mm

Figure 11 ③-2 Crimping Ring (for  $\varnothing$  3 mm cord)

Contact the professionals at Fiber Optic Center for a quote or to get more details.

[focenter.com](http://focenter.com) • 508-992-6464 | (800) 473-4237 • [sales@focenter.com](mailto:sales@focenter.com)

23 Centre Street • New Bedford, MA 02740 USA



**Manufacturer:**  
Seikoh Giken

**Product Name:**  
Seikoh Giken Gold Standard SM SC Connector 125um (900um) Blue

**Manufacturer Part Number:**  
SSC-PE1G-511251A306G

▶ Click here for more details on the Seikoh Giken Gold Standard SM SC Connector 125um (900um) Blue

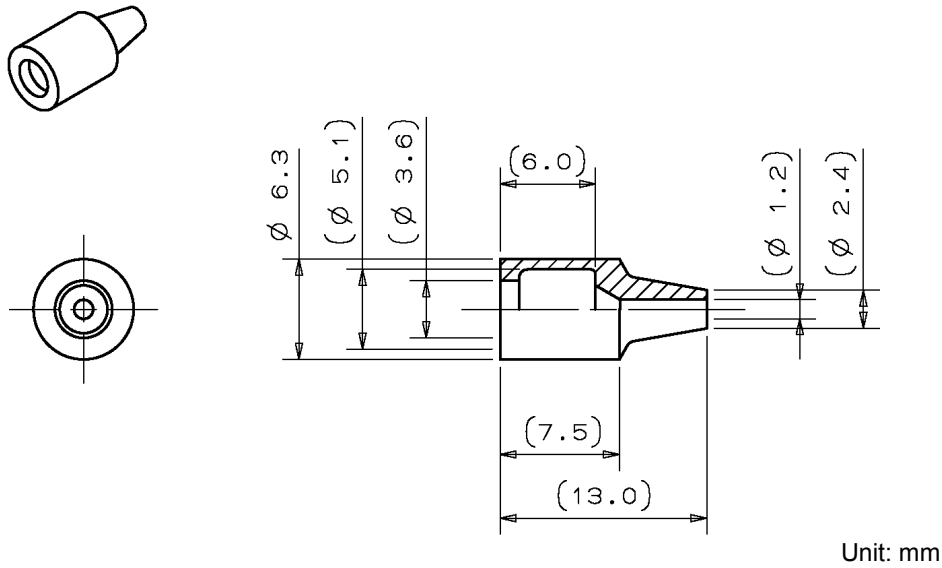


Figure 12 ④-1 Boot (for  $\varnothing$  0.9 mm buffered fiber, rubber boot)

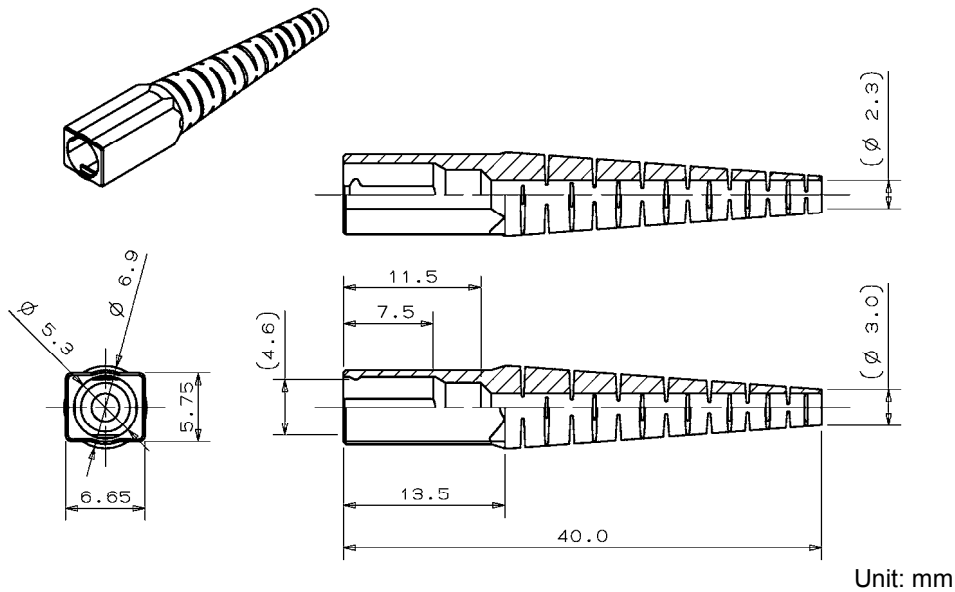
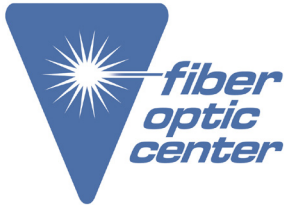


Figure 13 ④-2 Boot (for  $\varnothing$  2 mm cord)

Contact the professionals at Fiber Optic Center for a quote or to get more details.

[focenter.com](http://focenter.com) • 508-992-6464 | (800) 473-4237 • [sales@focenter.com](mailto:sales@focenter.com)

23 Centre Street • New Bedford, MA 02740 USA

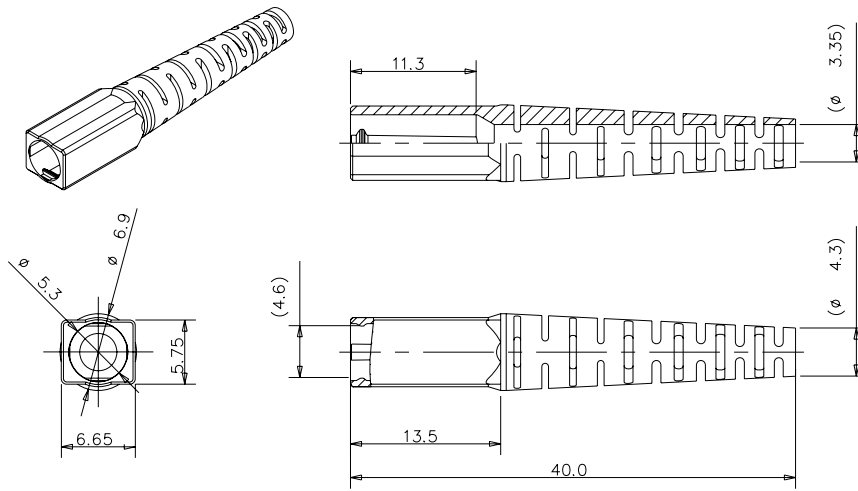


**Manufacturer:**  
Seikoh Giken

**Product Name:**  
Seikoh Giken Gold Standard SM SC Connector 125um (900um) Blue

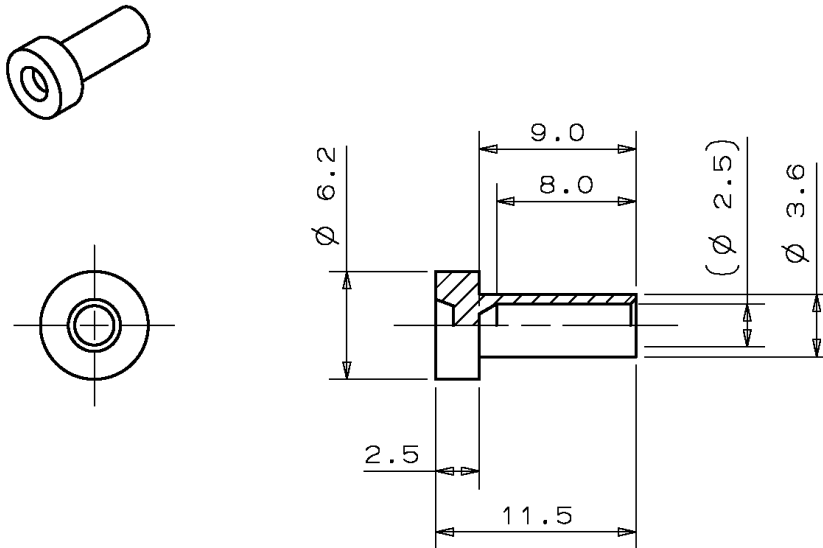
**Manufacturer Part Number:**  
SSC-PE1G-511251A306G

▶ Click here for more details on the Seikoh Giken Gold Standard SM SC Connector 125um (900um) Blue



Unit: mm

Figure 14 ④-3 Boot (for  $\varnothing$  3 mm cord)



Unit: mm

Figure 15 ⑤Cap (Ferrule Cap)

Contact the professionals at Fiber Optic Center for a quote or to get more details.

[focenter.com](http://focenter.com) • 508-992-6464 | (800) 473-4237 • [sales@focenter.com](mailto:sales@focenter.com)

23 Centre Street • New Bedford, MA 02740 USA